

# Exterior Plastic & Fiberglass Trim

*Wing Tips, Fairings, Fin Caps, Rudder Caps, Elevator Tips, and more!*

**Large variety of exterior trim – all together, in one place!**

Exterior Plastic and Fiberglass

**McFarlane offers a huge selection of plastic and fiberglass trim and fairings!**  
 Plastic and fiberglass exterior parts from Aircraft Development, Knots2U, Stene Aviation, and Texas Aeroplastics



**Aircraft Development**

Aircraft Development replacement wing tips and landing gear fairings are extra light-weight, made from an epoxy fiberglass construction, and are six times stronger and twelve times stiffer than original plastic. They are weather and UV resistant, won't become brittle and are easily repairable.



**Knots 2U**

Knots 2U replacement parts are made from the highest quality hand laid fiberglass. This provides for superior strength, reduced weight, and long life. The latest technology resins are used to prevent warping and shrinkage that can happen with other fiberglass. Advanced tooling and pattern techniques assure a superior fit.



**Stene Aviation**

Stene Aviation fiberglass replacement parts are five times stronger than the original plastic parts offered by Cessna. They are exact replacements of the originals and come primed and ready for paint. The product line includes Cessna wing tips, strut cuffs, fin caps, rudder caps/bottoms, stabilizer tips, wheel pants, and much more.



**Texas Aeroplastics**

Texas Aeroplastics replacement parts are made from top grade ABS plastic with an average service life of 15-20 years when properly fitted and professionally painted. ABS plastic parts are repairable and most have been trimmed for easy installation. All exterior ABS plastic parts are white.



**Wing Tips**

- Available in plastic and fiberglass
- Conical wing tips accommodate both a strobe and nav light
- Symmetrical wing tips accommodate a strobe light



**Main Wheel Fairings (Wheel Pants)**

**Easy tire valve access!**

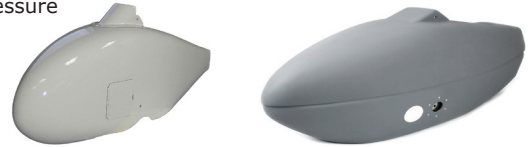
- Available in fiberglass
- Knots 2U main wheel fairings feature an access door to easily check tire pressure
- Stene Aviation main wheel fairings feature a removable plastic plug to easily check tire pressure



**Nose Wheel Fairings (Wheel Pants)**

**Easy tire valve access!**

- Available in ABS plastic and fiberglass
- Knots 2U nose gear fairings feature an access door to easily check tire pressure
- Feature a removable plastic plug to easily check tire pressure



**Strut Fairings**

**Strut to Wing and Strut to Fuselage Fairings**

Plastic un-split (FAA-PMA) fairings by Texas Aeroplastics



Fiberglass split fairings (FAA-PMA/STC) for easy installation, and un-split (FAA-PMA) by Stene Aviation



Plastic PRO split fairings (FAA-PMA) for easy installation by Knots 2U



Fiberglass split fairings (FAA-PMA) for easy installation by Aircraft Development.



**Cowl Fairings**

Available in fiberglass



**Main Landing Gear Fairings**

Split for easy installation. Available in plastic from Texas Aeroplastics...



...and in fiberglass from Aircraft Development and Stene Aviation



**Lower Rear Wing Fairings**

Available in fiberglass



**Tailcone Fairings**

Available in plastic and fiberglass



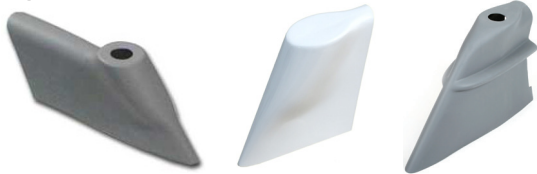
**Vertical Fin Caps**

Available in plastic and fiberglass

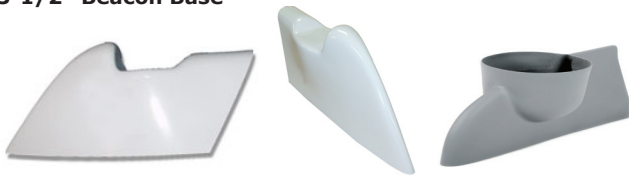
**No flashing beacon**



**2-1/4" Beacon Base**



**3-1/2" Beacon Base**



**Brake Cover Fairings**

Split for easy installation!  
Available in plastic and fiberglass



**Fuel Strainer Cover**

Available in fiberglass



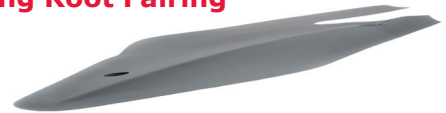
**Tailwheel Steering Cable Fairings**

Available in fiberglass



**Trailing Edge Wing Root Fairing**

Available in fiberglass



**Rudder Caps**

Available in plastic and fiberglass

**Rudder Top Caps**



**Rudder Butts**



**Dorsal Fin Tips**

Available in plastic and fiberglass

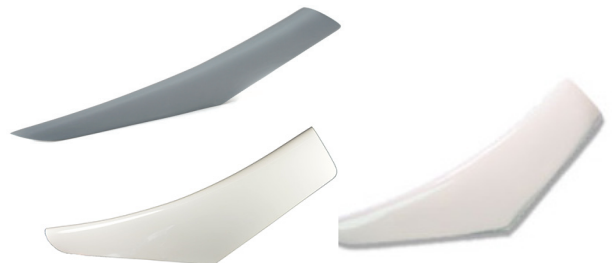
**Forward Dorsal Fin Tips**

Small triangle at the front of the dorsal fin



**Aft Dorsal Fin Tips**

Dorsal fin transition into the vertical fin



**Horizontal Stabilizer Tips**

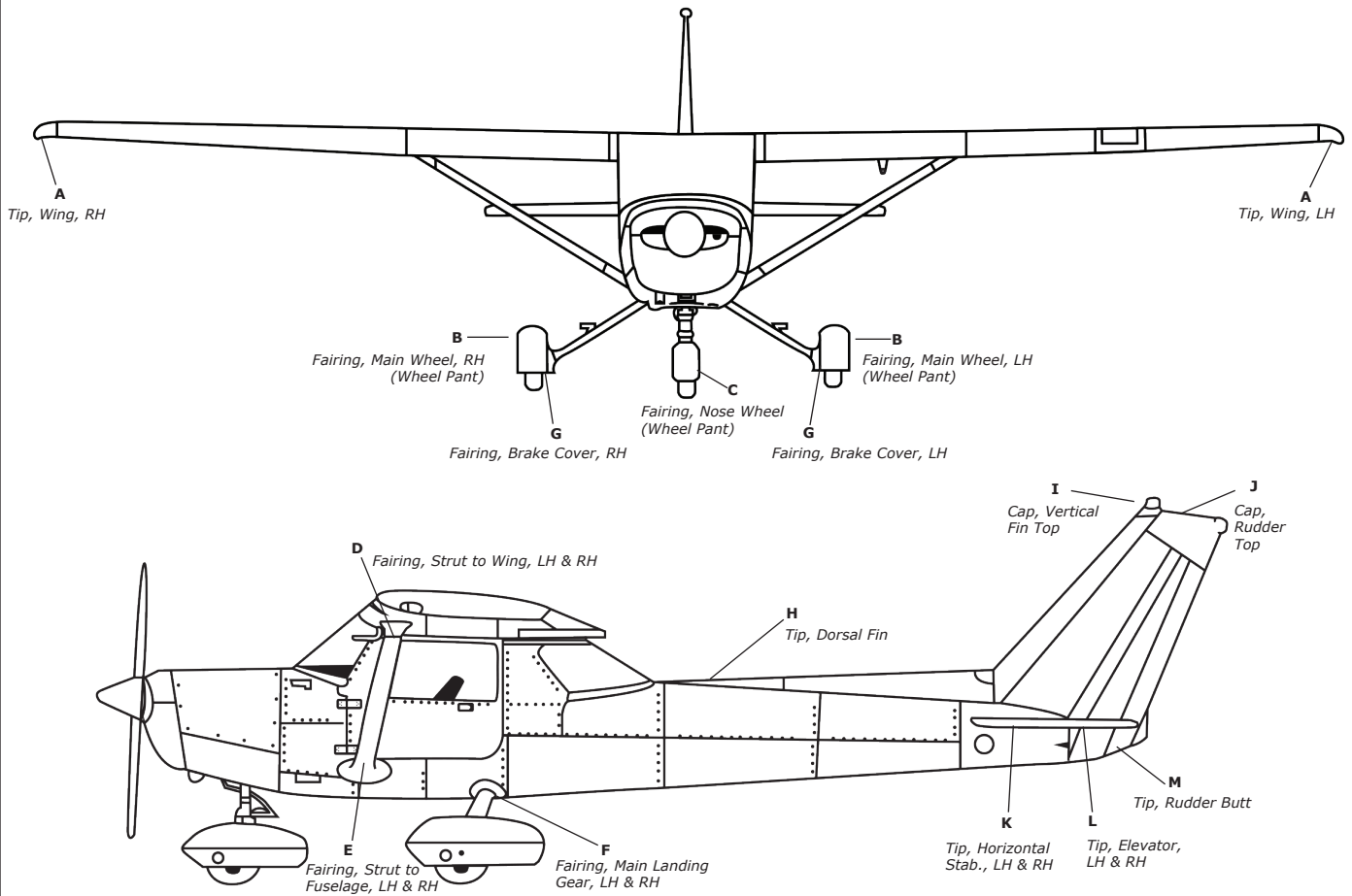
Available in plastic and fiberglass



**Elevator Tips**

Available in plastic and fiberglass





150, 150A,B,C,D,E			
S/N 17001 thru 15061532			
Description	Idx	Part Number	
Fairing, Main Lndg Gear LH	F	FS-150-LG	T
Fairing, Main Lndg Gear RH	F	FS-150-RG	T
Fairing, Strut to Fuslg LH	E	SA-0421002-1SP	3 S
Fairing, Strut to Fuslg RH	E	SA-0421002-2SP	3 S
Fairing, Strut to Wing, LH	D	SA-0522150-3SP	3 S
Fairing, Strut to Wing, RH	D	SA-0522150-4SP	3 S
Rudder Bottom	M	K0430004-1-791	K
		SA-0430004-1	S
Rudder Top	J	GF0430004-2-791	1 K
		SA-0430004-2	1 S
		SA-0430004-8	2 S
Tip, Dorsal Fin, Vertical	H	GF0430004-00	1 K
		GF0430004-7-791	2 K
		SA-0430004-4	1 S
		SA-0430004-7	2 S
Tip, Elevator, LH or RH	L	26-09	T
		GF0430004-10791	2 K
		GF0430004-5-791	1 K
		SA-0430004-10	2 S
		SA-0430004-5	1 S
Tip, Horiz., Stab., LH or RH	K	26-08	T
		GF0430004-11791	K
		SA-0430004-11	2 S

**Continued in the next column**

**Continued from previous column**

150, 150A,B,C,D,E continued			
S/N 17001 thru 15061532			
Description	Idx	Part Number	
Tip, Vertical & Horizontal Stab	I	GF0430004-6-791	1 K
		SA-0430004-6	1 S
Tip, Vertical, No Beacon	I	SA-0430004-9	2 S
Tip, Wing, Conical, LH	A	SA-0523565-29	5 6 S
Tip, Wing, Conical, RH	A	SA-0523565-30	5 6 S
Tip, Wing, Std., LH or RH	A	K0723615-200	K
		SA-0723615-200	S
Tip, Wing, Hoerner Style	A	11004 (set of two)	K
Wing Pos., Light Shield, RH	A	219-4-6	4 A

**Notes:**  
**1** S/N 17001 thru 15060087 only  
**2** S/N 15060088 and on  
**3** FAA-PMA/STC approved split Fairing for easy install and removal  
**4** For wings with a conical wing tip  
**5** For kits including LH and RH, see Lighting section of catalog  
**6** Add "LL-14V or LL-28V" suffix for FAA-PMA/STC wing tips including Quasar LED landing/taxi lights and optimized to accept LED nav/strobe lights. Must purchase as a LH and RH kit. See Lighting section of catalog. Add "LED" suffix for FAA-PMA/STC wing tips optimized to accept LED nav/strobe lights.

**Continued on next page**

**Cessna 150 thru 152 Series**  
continued from previous page

<b>150F,G,H,J,K</b> S/N 15061533 thru 15072003			
Description	Idx	Part Number	
Cap, Rudder Top	J	26-0431013-1-80A	T
		SA-0431013-1	S
Cap, Vertical Fin Top No Beacon Base	I	K0431013-3-791	K
		SA-0431013-3	S
Cap, Vertical Fin Top 2 1/4" Beacon Base	I	26-0431017-1-80A	T
		SA-0431017-1	S
Fairing, Main Landing Gear LH	F	FS-150-LG	T
Fairing, Main Landing Gear RH	F	FS-150-RG	T
Fairing, Main Wheel, LH (Wheel Pant)	B	K0741046-203	9 K
Fairing, Main Wheel, RH (Wheel Pant)	B	K0741046-202	9 K
Fairing, Nose Wheel (Wheel Pant)	C	K0743625-14	9 K
Fairing, Strut to Fuselage, LH	E	150-LFS	7 T
		K0421002-1	8 12 T
		SA-0421002-1	11 8 S
Fairing, Strut to Fuselage, RH	E	150-RFS	7 T
		K0421002-2	8 12 T
		SA-0421002-2	11 8 S
Fairing, Strut to Wing, LH	D	150-LWS	7 T
		K0522150-3	8 12 K
		SA-0522150-3	11 8 S
Fairing, Strut to Wing, RH	D	150-RWS	7 T
		K0522150-4	8 12 K
		SA-0522150-4	11 8 S
Tip, Dorsal Fin	H	SA-0431024-1	S
Tip, Elevator, LH or RH	L	26-09	T
		GF0430004-10791	K
		SA-0430004-10	S
Tip, Horizontal Stab., LH or RH	K	26-08	T
		GF0430004-11791	K
		SA-0430004-11	S
Tip, Rudder Butt	M	26-11	T
		GF0431005-1-791	K
		SA-0431005-1	S
Tip, Wing, Conical, LH	A	20-51L-80A	10 T
		SA-0523565-29	14 6 S
Tip, Wing, Conical, RH	A	20-51R-80A	10 T
		SA-0523565-30	14 6 S
Tip, Wing, Sym., LH or RH	A	26-0423008-3-80A	T
Tip, Wing, Hoerner Style	A	SA-0423008-3	S
Tip, Wing, Hoerner Style	A	11004 (set of two)	K
Wing Pos., Light Shield, RH	A	219-4-6	13 A

<b>150L,M</b> S/N 15072004 thru 15079405			
Description	Idx	Part Number	
Cap, Rudder Top	J	26-0431013-1-80A	16 T
		26-15-80A	19 T
		GF0430011-2	19 K
		SA-0430011-2	19 S
		SA-0431013-1	16 S
Cap, Vertical Fin Top No Beacon Base	I	K0431013-3-791	K
		SA-0431013-3	S

**Continued in the next column**

<b>Continued from previous column</b>			
<b>150L,M continued</b> S/N 15072004 thru 15079405			
Description	Idx	Part Number	
Cap, Vertical Fin Top 2 1/4" Beacon Base	I	26-0431017-1-80A	16 T
		26-12	19 T
		GF0430011-1	19 K
		SA-0430011-1	19 S
		SA-0431017-1	16 S
Fairing, Brake Cover, LH	G	26-07-LBC	19 T
		SA-0441227-1	S
Fairing, Brake Cover, RH	G	26-07-RBC	19 T
		SA-0441227-2	S
Fairing, Main Landing Gear, LH	F	26-06L	T
		SA-0441217-15	S
Fairing, Main Landing Gear, RH	F	244-4-14	A
		26-06R	T
		SA-0441217-14	S
Fairing, Main Wheel, LH (Wheel Pant)	B	GF0541223-01	18 K
		SA-0541203-1	15 S
		SA-0541223-17	17 S
Fairing, Main Wheel, RH (Wheel Pant)	B	GF0541223-02	18 K
		SA-0541203-2	15 S
		SA-0541223-16	17 S
Fairing, Nose Wheel (Wheel Pant)	C	20-40N-80A	T
		GF0543079-00	20 17 K
		SA-0543065-1	15 S
		SA-0543079-3	17 S
Fairing, Strut to Fuselage, LH	E	150-LFS	T
		K0421002-1	12 T
		SA-0421002-1	11 S
Fairing, Strut to Fuselage, RH	E	150-RFS	T
		K0421002-2	12 T
		SA-0421002-2	11 S
Fairing, Strut to Wing, LH	D	150-LWS	T
		K0522150-3	12 K
		SA-0522150-3	11 S

**Notes:**

- 6 Add "LL-14V or LL-28V" suffix for FAA-PMA/STC wing tips including Quasar LED landing/taxi lights and optimized to accept LED nav/strobe lights. Must purchase as a LH and RH kit. See Lighting section of catalog. Add "LED" suffix for FAA-PMA/STC wing tips optimized to accept LED nav/strobe lights.
- 7 S/N 15064533 and on
- 8 S/N 15067199 and on
- 9 S/N 15069309 and on
- 10 S/N 15071129 and on
- 11 Also available as a FAA-PMA/STC approved split Fairing for easy installation and removal; add an "SP" suffix to the P/N
- 12 This is an ABS plastic part, split for easy installation
- 13 For wings with a conical wing tip
- 14 For kits including LH and RH see page 414
- 15 S/N 15072004 thru 15074850 only
- 16 S/N 15072004 thru 15075781 only
- 17 S/N 15074851 and on
- 18 S/N 15074851 thru 15077005 only
- 19 S/N 15075782 and on
- 20 Not for aircraft with heavy duty nose gear

**Continued on next page**

### Cessna 150 thru 152 Series continued from previous page

Exterior Plastic and Fiberglass

150L,M continued S/N 15072004 thru 15079405		
Description	Idx	Part Number
		150-RWS <span style="float: right;">T</span>
Fairing, Strut to Wing, RH	D	K0522150-4 <span style="float: right;">12 K</span>
		SA-0522150-4 <span style="float: right;">11 S</span>
		26-10 <span style="float: right;">T</span>
Tip, Dorsal Fin	H	SA-0431024-1 <span style="float: right;">S</span>
		26-09 <span style="float: right;">T</span>
Tip, Elevator, LH or RH	L	GF0430004-10791 <span style="float: right;">K</span>
		SA-0430004-10 <span style="float: right;">S</span>
Tip, Horizontal Stab., LH or RH	K	26-08 <span style="float: right;">T</span>
		GF0430004-11791 <span style="float: right;">K</span>
		SA-0430004-11 <span style="float: right;">S</span>
Tip, Rudder Butt	M	26-11 <span style="float: right;">T</span>
		GF0431005-1-791 <span style="float: right;">K</span>
		SA-0431005-1 <span style="float: right;">S</span>
Tip, Wing, Conical, LH	A	20-51L-80A <span style="float: right;">T</span>
		GF0523565-29791 <span style="float: right;">T</span>
		SA-0523565-29 <span style="float: right;">14 6 S</span>
Tip, Wing, Conical, RH	A	20-51R-80A <span style="float: right;">T</span>
		GF0523565-30791 <span style="float: right;">T</span>
		SA-0523565-30 <span style="float: right;">14 6 S</span>
Tip, Wing, Sym., LH or RH	A	26-0423008-3-80A <span style="float: right;">T</span>
		SA-0423008-3 <span style="float: right;">S</span>
Tip, Wing, Hoerner Style	A	11004 (set of two) <span style="float: right;">K</span>
Wing Pos., Light Shield, RH	A	219-4-6 <span style="float: right;">13 A</span>
A150K,L,M S/N A1500001 thru A1500734		
Description	Idx	Part Number
Cap, Rudder Top	J	26-0431013-1-80A <span style="float: right;">22 T</span>
		26-15-80A <span style="float: right;">27 T</span>
		GF0430011-2 <span style="float: right;">27 K</span>
		SA-0430011-2 <span style="float: right;">27 S</span>
Cap, Vertical Fin Top No Beacon Base	I	SA-0431013-1 <span style="float: right;">22 S</span>
		K0431013-3-791 <span style="float: right;">22 K</span>
Cap, Vertical Fin 2 1/4" Beacon Base	I	26-12 <span style="float: right;">27 T</span>
		GF0430011-1 <span style="float: right;">27 K</span>
		SA-0430011-1 <span style="float: right;">27 S</span>
		SA-0431017-1 <span style="float: right;">22 S</span>
Fairing, Brake Cover, LH	G	SA-0441227-1 <span style="float: right;">27 S</span>
Fairing, Brake Cover, RH	G	SA-0441227-2 <span style="float: right;">27 S</span>
Fairing, Main Landing Gear, LH	F	26-06L <span style="float: right;">T</span>
		SA-0441217-15 <span style="float: right;">24 S</span>
		244-4-14 <span style="float: right;">A</span>
Fairing, Main Landing Gear, RH	F	26-06R <span style="float: right;">T</span>
		SA-0441217-14 <span style="float: right;">24 S</span>
		GF0541223-01 <span style="float: right;">25 K</span>
Fairing, Main Wheel, LH (Wheel Pant)	B	K0741046-203 <span style="float: right;">21 K</span>
		SA-0541203-1 <span style="float: right;">23 S</span>
		SA-0541223-17 <span style="float: right;">26 S</span>
Fairing, Main Wheel, RH (Wheel Pant)	B	GF0541223-02 <span style="float: right;">25 K</span>
		K0741046-202 <span style="float: right;">21 K</span>
		SA-0541203-2 <span style="float: right;">23 S</span>
Fairing, Nose Wheel (Wheel Pant)	C	SA-0541223-16 <span style="float: right;">26 S</span>
		20-40N-80A <span style="float: right;">24 T</span>
		GF0543079-00 <span style="float: right;">26 K</span>
Fairing, Nose Wheel (Wheel Pant)	C	K0743625-14 <span style="float: right;">21 K</span>
		SA-0543065-1 <span style="float: right;">23 S</span>
		SA-0543079-3 <span style="float: right;">26 S</span>

**Continued on next column**

Continued from previous column A150K,L,M continued S/N A1500001 thru A1500734		
Description	Idx	Part Number
Fairing, Strut to Fuslg, LH	E	SA-0522150-7 <span style="float: right;">S</span>
Fairing, Strut to Fuslg, RH	E	SA-0522150-6 <span style="float: right;">S</span>
Fairing, Strut to Wing, LH	D	SA-0421002-3 <span style="float: right;">S</span>
Fairing, Strut to Wing, RH	D	SA-0421002-4 <span style="float: right;">S</span>
		26-09 <span style="float: right;">T</span>
		GF0430004-10791 <span style="float: right;">K</span>
Tip, Elevator, LH or RH	L	SA-0430004-10 <span style="float: right;">S</span>
Tip, Horizontal Stab., LH or RH	K	26-08 <span style="float: right;">T</span>
		GF0430004-11791 <span style="float: right;">K</span>
		SA-0430004-11 <span style="float: right;">S</span>
Tip, Rudder Butt	M	26-11 <span style="float: right;">T</span>
		GF0431005-1-791 <span style="float: right;">K</span>
		SA-0431005-1 <span style="float: right;">27 S</span>
Tip, Wing, Conical Camber, LH	A	20-51L-80A <span style="float: right;">T</span>
		GF0523565-29791 <span style="float: right;">24 K</span>
		SA-0523565-29 <span style="float: right;">14 6 S</span>
Tip, Wing, Conical Camber, RH	A	20-51R-80A <span style="float: right;">T</span>
		GF0523565-30791 <span style="float: right;">24 K</span>
		SA-0523565-30 <span style="float: right;">14 6 S</span>
Tip, Wing, Sym., LH or RH	A	26-0423008-3-80A <span style="float: right;">T</span>
		SA-0423008-3 <span style="float: right;">S</span>
Wing Pos., Light Shield, RH	A	219-4-6 <span style="float: right;">13 A</span>
Notes:		
<p><b>6</b> Add "LL-14V or LL-28V" suffix for FAA-PMA/STC wing tips including Quasar LED landing/taxi lights and optimized to accept LED nav/strobe lights. Must purchase as a LH and RH kit. See Lighting section of catalog. Add "LED" suffix for FAA-PMA/STC wing tips optimized to accept LED nav/strobe lights.</p> <p><b>13</b> For wings with a conical wing tip</p> <p><b>14</b> For kits including LH and RH see Lighting section of catalog</p> <p><b>21</b> S/N A1500001 thru A1500226</p> <p><b>22</b> S/N A1500001 thru A1500523 only</p> <p><b>23</b> S/N A1500227 thru A1500429 only</p> <p><b>24</b> S/N A1500227 and on</p> <p><b>25</b> S/N A1500430 thru A1500523 only</p> <p><b>26</b> S/N A1500430 and on</p> <p><b>27</b> S/N A1500524 and on</p> <p><b>28</b> S/N F150-0001 thru F15000523, FA1500001 thru FA1500261 only</p> <p><b>29</b> S/N F150-0001 thru F15000658</p> <p><b>30</b> S/N F150-0001 thru F15001143 FA1500001 thru FA1500261 only</p> <p><b>31</b> S/N F150-0001 thru F15001428, FA1500001 thru FA1500336 only</p> <p><b>33</b> S/N F150-0001 thru F15001428, FA1500001 thru FA1500261 only</p> <p><b>34</b> S/N F150-0220 thru F15001428 only</p> <p><b>35</b> S/N F15000530 thru F15001428 only</p> <p><b>36</b> S/N F15000530 thru F15001428, FA1500001 thru FA1500336 only</p> <p><b>37</b> S/N F15000659 thru F15001143, and FA1500082 thru FRA1500120 only</p> <p><b>38</b> S/N F15000659 thru F15001428, FA1500082 thru FRA1500261 only</p> <p><b>39</b> S/N F15000659 thru F15001428, FA1500082 thru FRA1500336 only</p> <p><b>40</b> S/N F15001014 thru F15001428 only</p> <p><b>41</b> S/N F15001144 thru F15001428, FA1500082 thru FA1500336 only</p> <p><b>42</b> S/N F15001144 thru F15001428, FA1500262 thru FA1500336 only</p> <p><b>43</b> S/N F15001144 thru F15001428, FA1500262 thru FA1500336, FRA1500262 thru FRA1500336 only</p>		
Continued on next page		

**Cessna 150 thru 152 Series**  
continued from previous page

F150F,G,H,J,K,L,M, FA150K,L,M, FRA150L,M S/N F150-0001 thru F15001428, FA1500001 thru FA1500336, FRA1500121 thru FRA1500261		
Description	Idx	Part Number
Cap, Rudder Top	J	26-0431013-1-80A <span>30 T</span>
		26-15-80A <span>43 T</span>
		GF0430011-2 <span>42 K</span>
		SA-0431013-1 <span>30 S</span>
Cap, Vertical Fin Top No Beacon Base	I	K0431013-3-791 <span>28 K</span>
Cap, Vertical Fin 2 1/4" Beacon Base	I	SA-0430011-1 <span>42 S</span>
Fairing, Brake Cover, LH	G	SA-0441227-1 <span>42 S</span>
Fairing, Brake Cover, RH	G	SA-0441227-2 <span>42 S</span>
Fairing, Main Landing Gear LH	F	26-06L <span>39 T</span>
		SA-0441217-15 <span>39 S</span>
Fairing, Main Landing Gear RH	F	26-06R <span>39 T</span>
		SA-0441217-14 <span>39 S</span>
Fairing, Main Wheel, LH (Wheel Pant)	B	GF0541223-01 <span>40 K</span>
		K0741046-203 <span>45 K</span>
		SA-0541203-1 <span>37 S</span>
		SA-0541223-17 <span>39 S</span>
Fairing, Main Wheel, RH (Wheel Pant)	B	GF0541223-02 <span>39 K</span>
		K0741046-202 <span>45 K</span>
		SA-0541203-2 <span>37 S</span>
		SA-0541223-16 <span>39 S</span>
Fairing, Nose Wheel, Wheel Pant	C	20-40N-80A <span>39 T</span>
		GF0543079-00 <span>40 K</span>
		K0743625-14 <span>44 K</span>
		SA-0543065-1 <span>37 S</span>
Fairing, Strut to Fuslg, LH	E	SA-0543079-3 <span>41 S</span>
		150-LFS <span>48 T</span>
		K0421002-1 <span>34 12 T</span>
Fairing, Strut to Fuslg, RH	E	SA-0421002-1 <span>34 S</span>
		SA-0522150-7 <span>47 S</span>
		150-RFS <span>48 T</span>
Fairing, Strut to Wing, LH	D	K0421002-2 <span>34 12 T</span>
		SA-0421002-2 <span>34 S</span>
		SA-0522150-6 <span>47 S</span>
Fairing, Strut to Wing, RH	D	150-LWS <span>48 T</span>
		K0522150-3 <span>34 12 K</span>
Tip, Dorsal Fin	H	SA-0421002-3 <span>46 S</span>
		150-RWS <span>48 T</span>
Tip, Elevator, LH or RH	L	K0522150-4 <span>34 12 K</span>
		SA-0421002-4 <span>46 S</span>
Tip, Rudder Butt	M	SA-0431024-1 <span>42 S</span>
		26-09 <span>T</span>
Tip, Horizontal Stab., LH or RH	K	GF0430004-10791 <span>31 K</span>
		SA-0430004-10 <span>33 S</span>
Tip, Wing, Con. Camber LH	A	26-11 <span>35 T</span>
		GF0431005-1-791 <span>31 K</span>
Tip, Wing, Con. Camber RH	A	SA-0431005-1 <span>33 S</span>
		26-08 <span>T</span>
Tip, Wing, LH	A	GF0430004-11791 <span>31 K</span>
		SA-0430004-11 <span>33 S</span>
Tip, Wing, Symmetrical	A	GF0523565-29791 <span>K</span>
		SA-0523565-29 <span>38 14 S</span>
Tip, Wing, Symmetrical	A	GF0523565-30791 <span>K</span>
		SA-0523565-30 <span>38 14 S</span>
Tip, Wing, LH	A	20-51L-80A <span>36 T</span>
Tip, Wing, RH	A	20-51R-80A <span>36 T</span>
Tip, Wing, Symmetrical	A	26-0423008-3-80A <span>T</span>
		SA-0423008-3 <span>29 S</span>

**Continued on next column**

Continued from previous column 152, A152, F152, FA152 S/N 15279406 thru 15286033, A1520735 thru A1521049, F15201429 thru F15201980, FA1520337 thru FA1520425		
Description	Idx	Part Number
Cap, Rudder Top	J	26-15-80A <span>T</span>
		GF0430011-2 <span>53 K</span>
		SA-0430011-2 <span>S</span>
Cap, Vertical Fin Top 2 1/4" Beacon Base	I	26-12 <span>50 T</span>
		GF0430011-1 <span>50 K</span>
		SA-0430011-1 <span>S</span>
Fairing, Brake Cover, LH	G	26-07-LBC <span>49 T</span>
		SA-0441227-1 <span>S</span>
Fairing, Brake Cover, RH	G	26-07-RBC <span>49 T</span>
		SA-0441227-2 <span>S</span>
Fairing, Main Lndg Gear LH	F	26-06L <span>T</span>
		SA-0441217-15 <span>S</span>
Fairing, Main Lndg Gear RH	F	244-4-14 <span>A</span>
		26-06R <span>T</span>
		SA-0441217-14 <span>S</span>
Fairing, Main Wheel, LH (Wheel Pant)	B	GF0541223-01 <span>K</span>
		SA-0541223-17 <span>S</span>
Fairing, Main Wheel, RH (Wheel Pant)	B	GF0541223-02 <span>K</span>
		SA-0541223-16 <span>S</span>
Fairing, Nose Wheel (Wheel Pant)	C	20-40N-80A <span>T</span>
		GF0543079-00 <span>K</span>
<b>Notes:</b>		
12 This is an ABS plastic part, split for easy installation		
14 For kits including LH and RH see Lighting section of catalog		
28 S/N F150-0001 thru F15000523, FA1500001 thru FA1500261 only		
29 S/N F150-0001 thru F15000658		
30 S/N F150-0001 thru F15001143 FA1500001 thru FA1500261 only		
31 S/N F150-0001 thru F15001428, FA1500001 thru FA1500336 only		
33 S/N F150-0001 thru F15001428, FA1500001 thru FA1500261 only		
34 S/N F150-0220 thru F15001428 only		
35 S/N F15000530 thru F15001428 only		
36 S/N F15000530 thru F15001428, FA1500001 thru FA1500336 only		
37 S/N F15000659 thru F15001143, FA1500082 thru FRA1500120 only		
38 S/N F15000659 thru F15001428, FA1500082 thru FRA1500261 only		
39 S/N F15000659 thru F15001428, FA1500082 thru FRA1500336 only		
40 S/N F15001014 thru F15001428 only		
41 S/N F15001144 thru F15001428, FA1500082 thru FA1500336 only		
42 S/N F15001144 thru F15001428, FA1500262 thru FA1500336 only		
43 S/N F15001144 thru F15001428, FA1500262 thru FA1500336, FRA1500262 thru FRA1500336 only		
43 S/N F15001144 thru F15001428, FA1500262 thru FA1500336, FRA1500262 thru FRA1500336 only		
44 S/N F150-0390 thru F15000658, FA1500001 thru FA1500081 only		
45 S/N F15000530 thru F15000658, FA1500001 thru FA1500081 only		
46 S/N FA1500001 thru FA1500120 only		
47 S/N FA1500001 thru FA1500261 only		
48 S/N F150-0001 thru F15001428 only		
49 Model 152 only		
50 Models 152, A152 only		
51 Models 152, A152, F152 only		
52 Models 152 and F152 only		
53 S/N 15279406 thru 15286033, F15201429 thru F15201952, FA1520337 thru FA1520387 only		
54 S/N A1520735 thru A1521049 only		
<b>Continued on next page</b>		

Exterior Plastic and Fiberglass

### Cessna 150 thru 152 Series continued from previous page

Exterior Plastic and Fiberglass

**152, A152, F152, FA152 continued**  
S/N 15279406 thru 15286033, A1520735 thru A1521049,  
F15201429 thru F15201980, FA1520337 thru FA1520425

Description	Idx	Part Number
Fairing, Strut to Fuslg, LH	E	150-LFS <span style="float: right;">52 T</span>
		K0421002-1 <span style="float: right;">49 13 T</span>
		SA-0421002-1 <span style="float: right;">49 11 S</span>
		SA-0421002-3 <span style="float: right;">54 S</span>
Fairing, Strut to Fuslg, RH	E	150-RFS <span style="float: right;">52 T</span>
		K0421002-2 <span style="float: right;">49 12 T</span>
		SA-0421002-2 <span style="float: right;">49 11 S</span>
		SA-0421002-4 <span style="float: right;">54 S</span>
Fairing, Strut to Wing, LH	D	150-LWS <span style="float: right;">52 T</span>
		K0522150-3 <span style="float: right;">52 12 K</span>
		SA-0522150-3 <span style="float: right;">49 11 S</span>
		SA-0522150-7 <span style="float: right;">54 S</span>
Fairing, Strut to Wing, RH	D	150-RWS <span style="float: right;">52 T</span>
		K0522150-4 <span style="float: right;">52 12 K</span>
		SA-0522150-4 <span style="float: right;">49 11 S</span>
		SA-0522150-6 <span style="float: right;">54 S</span>
Tip, Dorsal Fin	H	26-10 <span style="float: right;">49 T</span> SA-0431024-1 <span style="float: right;">49 S</span>
Tip, Elevator, LH or RH	L	26-09 <span style="float: right;">T</span>
		GF0430004-10791 <span style="float: right;">K</span>
		SA-0430004-10 <span style="float: right;">49 S</span>
Tip, Horizontal Stab., LH or RH	K	26-08 <span style="float: right;">T</span>
		GF0430004-11791 <span style="float: right;">K</span>
		SA-0430004-11 <span style="float: right;">50 S</span>

**Continued on next column**

Manufacturer/Material: S Stene Aviation/Fiberglass, K Knots 2U/Fiberglass,  
A Aircraft Development/Fiberglass, T Texas Aeroplastics/ABS Plastic Parts

**152, A152, F152, FA152 continued**  
S/N 15279406 thru 15286033, A1520735 thru A1521049,  
F15201429 thru F15201980, FA1520337 thru FA1520425

Description	Idx	Part Number
Tip, Rudder Butt	M	26-11 <span style="float: right;">51 T</span>
		GF0431005-1-791 <span style="float: right;">K</span>
		SA-0431005-1 <span style="float: right;">54 S</span>
Tip, Wing, Conical, LH	A	20-51L-80A <span style="float: right;">T</span>
		GF0523565-29791 <span style="float: right;">K</span>
		SA-0523565-29 <span style="float: right;">14 6 S</span>
Tip, Wing, Conical, RH	A	20-51R-80A <span style="float: right;">T</span>
		GF0523565-30791 <span style="float: right;">K</span>
		SA-0523565-30 <span style="float: right;">14 6 S</span>
Tip, Wing, Symmetrical	A	26-0423008-3-80A <span style="float: right;">T</span>
Wing Pos., Light Shield, RH	A	219-4-6 <span style="float: right;">13 A</span>

**Notes:**

- 6 Add "LL-14V or LL-28V" suffix for FAA-PMA/STC wing tips including Quasar LED landing/taxi lights and optimized to accept LED nav/strobe lights. Must purchase as a LH and RH kit. See Lighting section of catalog. Add "LED" suffix for FAA-PMA/STC wing tips optimized to accept LED nav/strobe lights.
- 11 Also available as a FAA-PMA/STC approved split Fairing for easy install and removal; add an "SP" suffix to the P/N
- 12 This is an ABS plastic part, split for easy installation
- 13 For wings with a conical wing tip
- 14 For kits including LH and RH see Lighting section of catalog
- 49 Model 152 only
- 50 Models 152, A152 only
- 51 Models 152, A152, F152 only
- 52 Models 152 and F152 only
- 53 S/N 15279406 thru 15286033, F15201429 thru F15201952, FA1520337 thru FA1520387 only
- 54 S/N A1520735 thru A1521049 only

**Kits for 150-152 aircraft**

Kit P/N	Kit Description	Part Number	Item Description
20-51-80A	Conical Wing Tip Kit	20-51L-80A	Tip, Wing, LH
		20-51R-80A	Tip, Wing, RH
26-04-80A	Strut Fairing Kit, Plastic	150-LFS	Fairing, Strut to Fuselage, LH
		150-RFS	Fairing, Strut to Fuselage, RH
		150-LWS	Fairing, Strut to Wing, LH
		150-RWS	Fairing, Strut to Wing, RH
26-05-80A	Landing Gear Fairing Kit Flat Gear Only	FS-150-LG	Fairing, Main Landing Gear, LH
		FS-150-RG	Fairing, Main Landing Gear, RH
26-06-80A	Landing Gear Fairing Kit Tube Gear Only	26-06L	Fairing, Main Landing Gear, LH
		26-06R	Fairing, Main Landing Gear, RH
26-07-80A	Brake Cover Fairing Kit	26-07-LBC	Fairing, Brake Cover, LH
		26-07-RBC	Fairing, Brake Cover, RH
KPS04	Split Strut Fairing Kit, Plastic	K0421002-1	Fairing, Strut to Fuselage, LH
		K0421002-2	Fairing, Strut to Fuselage, RH
		K0522150-3	Fairing, Strut to Wing, LH
		K0522150-4	Fairing, Strut to Wing, RH
SA-0421002-1234	Fairing Kit, Fiberglass for FAA-PMA/STC split Fairings add an "SP" suffix to the kit P/N	SA-0421002-1	Fairing, Strut to Fuselage, LH
		SA-0421002-2	Fairing, Strut to Fuselage, RH
		SA-0522150-3	Fairing, Strut to Wing, LH
		SA-0522150-4	Fairing, Strut to Wing, RH
SA-0523565-2930	Wing Tips <span style="border: 1px solid black; padding: 0 2px;">1</span> <span style="border: 1px solid black; padding: 0 2px;">2</span>	SA-0523565-29	Tip, Wing, Conical, LH
		SA-0523565-30	Tip, Wing, Conical, RH

**Notes:**

- 1 Add "LL-14V (14 Volt Installation) or LL-28V (28 Volt Installation)" suffix for FAA-PMA/STC wing tips including Quasar LED landing/taxi lights and optimized to accept LED nav/strobe lights. Installation kit including all hardware required for installation of Quasar LED lighted wing tips is included. Kits include shielded wire, all connectors, switches and breaker.
- 2 Add "LED" suffix for FAA-PMA/STC wing tips optimized to accept LED nav/strobe lights.

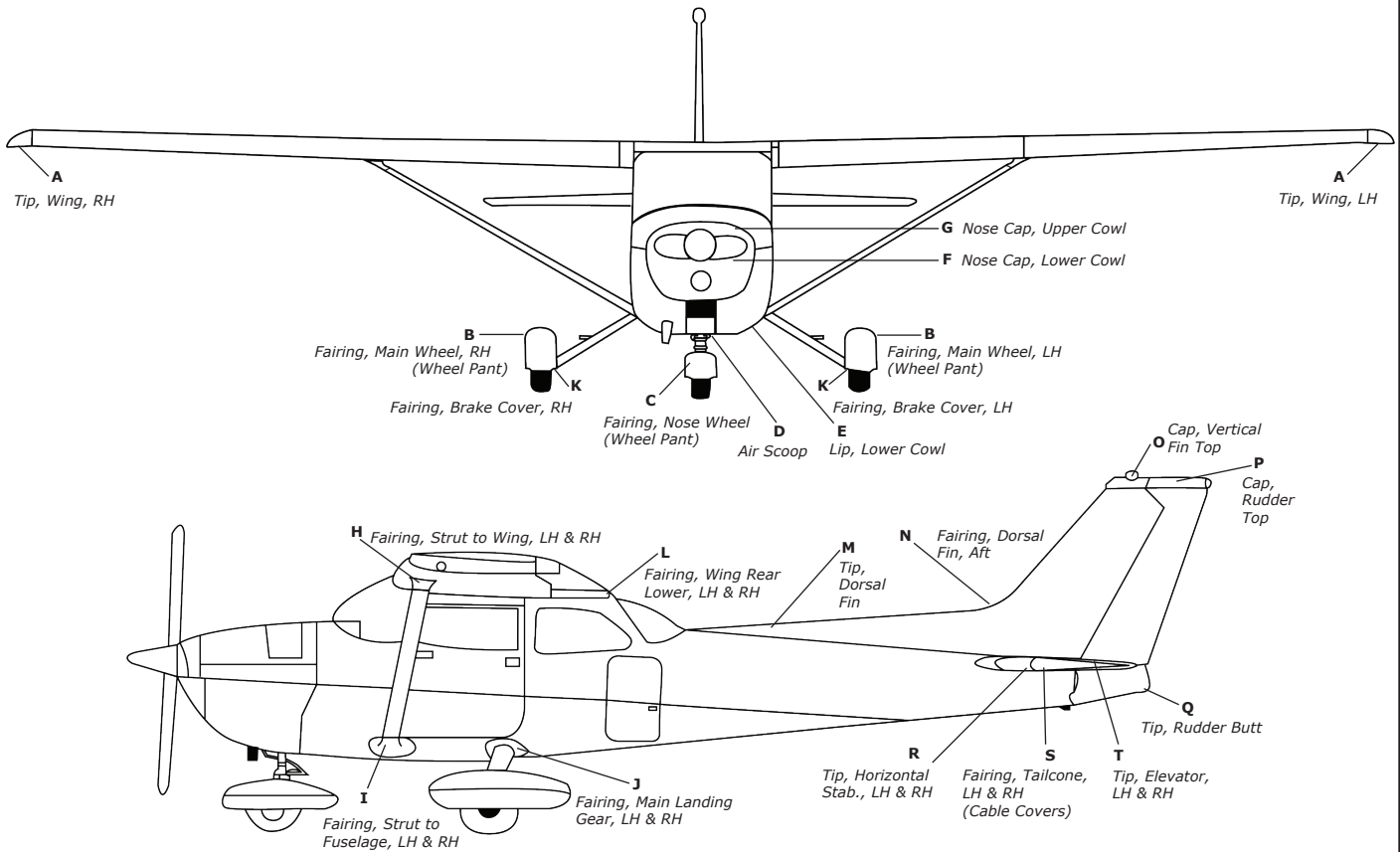


# Exterior Plastic and Fiberglass Cessna



## Cessna 170, 172, 175, 177 Series

Exterior Plastic and Fiberglass



170, 170A,B			
S/N 18000 thru 27169			
Description	Idx	Part Number	
Air Scoop	D	GF0552001-16	9 K
Fairing, Strut To Fuslg LH	I	SA-0522150-1SP	8 S
Fairing, Strut To Fuslg RH	I	SA-0522150-2SP	8 S
Lip, Lower Cowl	E	GF55200-00	10 K
Nose Cap, Lower Cowl	F	GF0552002-51	11 K
Nose Cap, Upper Cowl	G	GF0595000-3	11 K
Tip, Wing, Conical, LH	A	SA-0523565-29	8 4 1 S
Tip, Wing, Conical, RH	A	SA-0523565-30	8 4 1 S
Tip, Wing, LH or RH	A	SA-0723615-200	S
Tip, Wing, Hoerner Style	A	11004 (set of two)	10 K
Wing Pos., Light Shield, RH	A	219-4-6	2 A
172, 172A,B,C,D,E,F,G,H,I			
S/N 28000 thru 17257161			
Description	Idx	Part Number	
Air Scoop	D	GF0552001-16	13 K
Cap, Rudder Top	P	28-531006-34-80A	19 T
		K0531006-34	23 K
Cap, Vertical Fin No Beacon Base	O	SA-0531006-34	19 S
		28-531006-33-80A	19 T
Cap, Vert. Fin 2 1/4" Beacon Base	O	SA-0531006-33	19 S
		SA-0531001-36	13 S
Cap, Vert. Fin 3 1/2" Beacon Base	O	28-0531109-180A	25 T
		SA-0531009-1	24 S
Fairing, Main Wheel, LH (Wheel Pant)	B	SA-0531004-3	13 S
		K0741046-203	25 K

**Continued on next column**

### Notes:

- 1 Add "LL-14V or LL-28V" suffix for FAA-PMA/STC wing tips including Quasar LED landing/taxi lights and optimized to accept LED nav/strobe lights. Must purchase as a LH and RH kit. See Lighting section of catalog. Add "LED" suffix for FAA-PMA/STC wing tips optimized to accept LED nav/strobe lights.
- 2 For wings with a conical wing tip
- 3 For kits including LH and RH see page 420
- 4 FAA-PMA/STC approved split fairing for easy install and removal
- 5 Also available as a FAA-PMA/STC approved split Fairing for easy install and removal; add an "SP" suffix to the P/N
- 6 For wings with a conical wing tip
- 7 For a wing with STOL leading edge radius
- 8 S/N 18730 and on
- 9 S/N 19200 and on
- 10 S/N 20267 and on
- 11 S/N 25373 and on
- 12 S/N 28000 thru 36965 only
- 13 S/N 28000 thru 46754 only
- 14 S/N 28000 thru 47746 only
- 17 S/N 28000 thru 17258486 only
- 18 S/N 46518 and on
- 19 S/N 46755 and on
- 20 S/N 17247747 thru 17249085 only
- 21 S/N 17247747 thru 17249544 only
- 22 S/N 17247747 thru 17253392 only
- 23 S/N 17249545 and on
- 24 S/N 17254425 and on
- 25 S/N 17254893 and on

**Continued on next page**

Manufacturer/Material: **A** Aircraft Development/Fiberglass, **K** Knots 2U/Fiberglass, **S** Stene Aviation/Fiberglass, **T** Texas Aeroplastics/ABS Plastic Parts

### Cessna 170, 172, 175, 177 Series continued from previous page

Exterior Plastic and Fiberglass

172, 172A,B,C,D,E,F,G,H,I continued			
S/N 28000 thru 17257161			
Description	Idx	Part Number	
Fairing, Main Wheel, RH (Wheel Pant)	B	K0741046-202	25 K
Fairing, Nose Wheel		K0743625-14	25 K
		28-07-LFS	T
Fairing, Strut To Fuslg LH	I	K0522150-1	18 T
		SA-0522150-1	5 S
		28-07-RFS	T
Fairing, Strut To Fuslg RH	I	K0522150-2	18 T
		SA-0522150-2	5 S
		28-06-LWS	18 T
Fairing, Strut To Wing, LH	H	K0522150-3	18 T
		SA-0522150-3	5 S
		28-06-RWS	18 T
Fairing, Strut To Wing, RH	H	K0522150-4	18 T
		SA-0522150-4	5 S
Fairing Wing Rear Low. LH	L	GF0520006-01	23 K
Fairing Wing Rear Low. RH	L	GF0520006-02	23 K
Fairing, Tailcone (Cable Covers) LH or RH	S	28-18	23 T
		SA-0530011-2	23 S
Lip, Lower Cowl	E	GF55200-00	14 K
Nose Cap, Lower Cowl	F	GF0552002-51	12 K
Nose Cap, Upper Cowl	G	GF0595000-3	12 K
Nose Cap, Skin	N/A	K0552010-17	22 K
Tip, Dorsal Fin	M	28-15	24 T
		220-4-7	23 A
Tip, Elevator, LH	T	28-09-L	23 T
		GF0532001-94	23 K
		SA-0532001-94	23 S
		220-4-8	23 A
Tip, Elevator, RH	T	28-09-R	23 T
		GF0532001-100	23 K
		SA-0532001-100	23 S
Tip, Elevator, LH or RH	T	K0532001-62	20 K
		SA-0532001-62	20 S
		28-21-80A	19 T
Tip, Rudder Butt	Q	K0531006-35	19 K
		K0531104	13 K
		SA-0531104	13 S
		SA-0531006-35	19 S
		K0532001-61	21 K
Tip, Horiz Stab., LH or RH	R	SA-0532001-61	21 S
		28-10	23 T
		GF0532001-00	23 K
		SA-0532001-93	23 S
Tip, Wing, Conical, LH	A	SA-0523565-29	31 T S
Tip, Wing, Conical, RH	A	SA-0523565-30	31 T S
Tip, Wing, Hoerner Style	A	11004 (set of two)	K
Tip, Wing, Sym., LH or RH	A	K0723615-200	17 K
		SA-0723615-200	S
Wing Pos., Light Shield, RH	A	219-4-6	6 A
		28-19-80A	T
		28-04-80A	36 T
Cap, Rudder Top	P	K0533009-1-791	29 K
		K0531006-112	40 K
		SA-0533009-1	29 S
		SA-0531006-112	40 S
		28-24-80A	T
Cap, Vertical Fin	O	28-02	39 T
All with 2 1/4" Beacon Base		GF0531033-1	40 K
		SA-0531003-1	40 S
		SA-0531013-1	35 S

Continued on next column

Continued from previous column

172K,L,M			
S/N 17257162 thru 17267584			
Description	Idx	Part Number	
Fairing, Brake Cover, LH	K	28-08-LBC	37 T
		SA-0541224-1	36 S
Fairing, Brake Cover, RH	K	28-08-RBC	37 T
		SA-0541224-2	36 S
		28-17	27 T
Fairing, Dorsal Fin, Aft	N	K0531012-2	33 K
		SA-0531012-2	34 S
		244-4-9	34 A
Fairing, Landing Gear, LH	J	28-05-LGF	34 T
		SA-1741005-239	34 S
Fairing, Landing Gear, RH	J	28-05-RGF	34 T
		SA-1741005-240	34 S
		GF0541223-01	37 K
Fairing, Main Wheel, LH (Wheel Pant)	B	K0741046-203	26 K
		SA-0541203-1	31 S
		SA-0541223-17	37 S
		GF0541223-02	37 K
Fairing, Main Wheel, RH (Wheel Pant)	B	K0741046-202	26 K
		SA-0541203-2	31 S
		SA-0541223-16	37 S
		20-40N-80A	36 T
Fairing, Nose Wheel	C	GF0543079-00	37 K
		K0743625-14	26 K
		SA-0543065-1	33 S
		SA-0543079-3	38 S
		28-07-LFS	T
Fairing, Strut To Fuslg, LH	I	K0522150-1	T
		SA-0522150-1	5 S

Notes:

- 1 Add "LL-14V or LL-28V" suffix for FAA-PMA/STC wing tips including Quasar LED landing/taxi lights and optimized to accept LED nav/strobe lights. Must purchase as a LH and RH kit. See Lighting section of catalog. Add "LED" suffix for FAA-PMA/STC wing tips optimized to accept LED nav/strobe lights.
- 2 For wings with a conical wing tip
- 3 For kits including LH and RH see page 420
- 4 FAA-PMA/STC approved split fairing for easy install and removal
- 5 Also available as a FAA-PMA/STC approved split Fairing for easy install and removal; add an "SP" suffix to the P/N
- 12 S/N 28000 thru 36965 only
- 13 S/N 28000 thru 46754 only
- 14 S/N 28000 thru 47746 only
- 17 S/N 28000 thru 17258486 only
- 18 S/N 46518 and on
- 19 S/N 46755 and on
- 20 S/N 17247747 thru 17249085 only
- 21 S/N 17247747 thru 17249544 only
- 22 S/N 17247747 thru 17253392 only
- 23 S/N 17249545 and on
- 24 S/N 17254425 and on
- 25 S/N 17254893 and on
- 26 S/N 17257162 thru 17259223 only
- 27 S/N 17257162 thru 17259903 only
- 28 S/N 17257162 thru 17260758 only
- 29 S/N 17257162 thru 17265684 only
- 30 S/N 17259224 thru 17260758 only
- 31 S/N 17259224 thru 17261898 only
- 33 S/N 17259224 thru 17263458 only
- 34 S/N 17259224 and on
- 35 S/N 17259904 and on
- 36 S/N 17260759 and on
- 37 S/N 17261899 and on
- 38 S/N 17263459 and on
- 39 S/N 17265485 and on
- 40 S/N 17265685 and on

Continued on next page

## Exterior Plastic and Fiberglass Cessna



### Cessna 170, 172, 175, 177 Series continued from previous page

Exterior Plastic and Fiberglass

172K,L,M continued S/N 17257162 thru 17267584		
Description	Idx	Part Number
Fairing, Strut To Fuslg, RH	I	28-07-RFS <span style="float: right;">T</span>
		K0522150-2 <span style="float: right;">T</span>
		SA-0522150-2 <span style="float: right;">5 S</span>
Fairing, Strut To Wing, LH	H	28-06-LWS <span style="float: right;">28 T</span>
		28-07-LWS <span style="float: right;">36 T</span>
		K0522150-3 <span style="float: right;">28 T</span>
		SA-0522150-3 <span style="float: right;">28 5 S</span>
		SA-0523047-1 <span style="float: right;">36 5 S</span>
Fairing, Strut To Wing, RH	H	28-06-RWS <span style="float: right;">28 T</span>
		28-07-RWS <span style="float: right;">36 T</span>
		K0522150-4 <span style="float: right;">28 T</span>
		SA-0522150-4 <span style="float: right;">28 5 S</span>
Fairing, Tailcone (Cable Covers) LH or RH	S	SA-0530011-2 <span style="float: right;">S</span>
		GF0520006-01 <span style="float: right;">K</span>
		GF0520006-02 <span style="float: right;">K</span>
Tip, Dorsal Fin	M	28-15 <span style="float: right;">27 T</span>
		28-16 <span style="float: right;">35 T</span>
		SA-0531020-1 <span style="float: right;">34 S</span>
Tip, Elevator, LH	T	28-09-L <span style="float: right;">T</span>
		GF0532001-94 <span style="float: right;">K</span>
		SA-0532001-94 <span style="float: right;">S</span>
Tip, Elevator, RH	T	28-09-R <span style="float: right;">T</span>
		GF0532001-100 <span style="float: right;">K</span>
		SA-0532001-100 <span style="float: right;">S</span>
Tip, Rudder Butt	Q	28-12 <span style="float: right;">T</span>
		GF0531006-80-791 <span style="float: right;">K</span>
		SA-0531006-80 <span style="float: right;">S</span>
Tip, Horiz. Stab., LH or RH	R	SA-0532001-93 <span style="float: right;">S</span>
Tip, Wing, Conical, LH	A	20-51L-80A <span style="float: right;">28 T</span>
		20-52L-80A <span style="float: right;">36 T</span>
		GF0523565-29-791 <span style="float: right;">30 K</span>
		GF0723200-5 <span style="float: right;">36 K</span>
		SA-0723200-5 <span style="float: right;">36 3 1 S</span>
		SA-0523565-29 <span style="float: right;">28 3 1 S</span>
Tip, Wing, Conical, RH	A	20-51R-80A <span style="float: right;">28 T</span>
		20-52R-80A <span style="float: right;">36 T</span>
		GF052356530-791 <span style="float: right;">30 K</span>
		GF0723200-6 <span style="float: right;">36 K</span>
		SA-0723200-6 <span style="float: right;">36 3 1 S</span>
		SA-0523565-30 <span style="float: right;">28 3 1 S</span>
Tip, Wing, Hoerner Style	A	11004 (set of two) <span style="float: right;">26 K</span>
Tip, Wing, Sym., LH or RH	A	SA-0723615-200 <span style="float: right;">26 S</span>
Wing Pos., Light Shield, LH	A	219-4-7 <span style="float: right;">36 7 A</span>
Wing Pos., Light Shield, RH	A	219-4-6 <span style="float: right;">28 6 A</span>
		219-4-8 <span style="float: right;">36 7 A</span>
		28-04-80A <span style="float: right;">44 T</span>
Cap, Rudder Top	P	K0533155-2 <span style="float: right;">48 K</span>
		K0531006-112 <span style="float: right;">42 K</span>
		SA-0531006-112 <span style="float: right;">44 S</span>
		SA-0533155-2 <span style="float: right;">48 S</span>
		28-02 <span style="float: right;">41 T</span>
Cap, Vertical Fin 2 1/4" Beacon Base	O	GF0531033-1 <span style="float: right;">K</span>
		SA-0531003-1 <span style="float: right;">41 48 S</span>
		SA-0531033-6 <span style="float: right;">46 S</span>
Fairing, Brake Cover, LH	K	28-08-LBC <span style="float: right;">T</span>
Fairing, Brake Cover, RH	K	SA-0541224-1 <span style="float: right;">S</span>
		28-08-RBC <span style="float: right;">T</span>
		SA-0541224-2 <span style="float: right;">S</span>

**Continued on next column**

Continued from previous column 172N,P,Q,R,S S/N 17267585 thru 172S9999		
Description	Idx	Part Number
Fairing, Dorsal Fin, Aft	N	K0531012-2 <span style="float: right;">K</span>
		SA-0531012-2 <span style="float: right;">S</span>
Fairing, Landing Gear, LH	J	244-4-9 <span style="float: right;">44 A</span>
		28-05-LGF <span style="float: right;">44 T</span>
		SA-1741005-239 <span style="float: right;">44 S</span>
		SA-1741005-59 <span style="float: right;">48 S</span>
Fairing, Landing Gear, RH	J	28-05-RGF <span style="float: right;">44 T</span>
		SA-1741005-240 <span style="float: right;">44 S</span>
		SA-1741005-60 <span style="float: right;">48 S</span>
Fairing, Main Wheel, LH (Wheel Pant)	B	GF0541223-01 <span style="float: right;">K</span>
		SA-0541223-17 <span style="float: right;">S</span>
Fairing, Main Wheel, RH (Wheel Pant)	B	GF0541223-02 <span style="float: right;">K</span>
		SA-0541223-16 <span style="float: right;">S</span>
Fairing, Nose Wheel	C	20-40N-80A <span style="float: right;">T</span>
		GF0543079-00 <span style="float: right;">K</span>
Fairing, Strut To Fuslg, LH	I	SA-0543079-3 <span style="float: right;">S</span>
		28-07-LFS <span style="float: right;">T</span>
		K0522150-1 <span style="float: right;">T</span>
Fairing, Strut To Fuslg, RH	I	SA-0522150-1 <span style="float: right;">5 S</span>
		28-07-RFS <span style="float: right;">T</span>
		K0522150-2 <span style="float: right;">T</span>
Fairing, Strut To Wing, LH	H	SA-0522150-2 <span style="float: right;">5 S</span>
		28-07-LWS <span style="float: right;">T</span>
Fairing, Strut To Wing, RH	H	SA-0523047-1 <span style="float: right;">5 S</span>
		28-07-RWS <span style="float: right;">T</span>
		SA-0523047-2 <span style="float: right;">5 S</span>

**Notes:**

- 1 Add "LL-14V or LL-28V" suffix for FAA-PMA/STC wing tips including Quasar LED landing/taxi lights and optimized to accept LED nav/strobe lights. Must purchase as a LH and RH kit. See Lighting section of catalog. Add "LED" suffix for FAA-PMA/STC wing tips optimized to accept LED nav/strobe lights.
- 2 For wings with a conical wing tip
- 3 For kits including LH and RH see page 420
- 4 FAA-PMA/STC approved split fairing for easy install and removal
- 5 Also available as a FAA-PMA/STC approved split Fairing for easy install and removal; add an "SP" suffix to the P/N
- 6 For wings with a conical wing tip
- 7 For a wing with STOL leading edge radius
- 26 S/N 17257162 thru 17259223 only
- 27 S/N 17257162 thru 17259903 only
- 28 S/N 17257162 thru 17260758 only
- 29 S/N 17257162 thru 17265684 only
- 30 S/N 17259224 thru 17260758 only
- 31 S/N 17259224 thru 17261898 only
- 33 S/N 17259224 thru 17263458 only
- 34 S/N 17259224 and on
- 35 S/N 17259904 and on
- 36 S/N 17260759 and on
- 37 S/N 17261899 and on
- 38 S/N 17263459 and on
- 39 S/N 17265485 and on
- 40 S/N 17265685 and on
- 41 S/N 17267585 thru 17274009 only
- 42 S/N 17267585 thru 17275953 only
- 43 S/N 17267585 thru 17276260 only
- 44 S/N 17267585 thru 17276654 only
- 45 S/N 17267585 and on
- 46 S/N 17274010 thru 17276654 only
- 47 S/N 17275954 and on
- 48 S/N 17280001 and on

**Continued on next page**

### Cessna 170, 172, 175, 177 Series continued from previous page

Exterior Plastic and Fiberglass

172N,P,Q,R,S continued S/N 17267585 thru 172S9999		
Description	Idx	Part Number
Fairing, Tailcone (Cable Covers) LH or RH	S	28-18 <span style="float: right;">45 T</span> SA-0530011-2 <span style="float: right;">S</span>
Fairing Wing Rear Low. LH	L	GF0520006-01 <span style="float: right;">44 K</span>
Fairing Wing Rear Low. RH	L	GF0520006-02 <span style="float: right;">44 K</span> 28-16 <span style="float: right;">43 T</span> SA-0531020-1 <span style="float: right;">S</span>
Tip, Dorsal Fin	M	
Tip, Elevator, LH	T	28-09-L <span style="float: right;">T</span> GF0532001-94 <span style="float: right;">K</span> SA-0532001-94 <span style="float: right;">S</span>
Tip, Elevator, RH	T	28-09-R <span style="float: right;">T</span> GF0532001-100 <span style="float: right;">K</span> SA-0532001-100 <span style="float: right;">S</span>
Tip, Rudder Butt	Q	28-11 <span style="float: right;">47 T</span> 28-12 <span style="float: right;">42 T</span> GF053100680-791 <span style="float: right;">42 K</span> K0533155-1 <span style="float: right;">48 K</span> SA-0531006-80 <span style="float: right;">44 S</span> SA-0533155-1 <span style="float: right;">48 S</span>
Tip, Horiz. Stab., LH or RH	D	28-10 <span style="float: right;">47 T</span> GF0532001-00 <span style="float: right;">47 K</span> SA-0532001-93 <span style="float: right;">S</span>
Tip, Wing, LH	A	20-52L-80A <span style="float: right;">T</span> GF0723200-5 <span style="float: right;">45 K</span> SA-0723200-5 <span style="float: right;">45 3 1 S</span> SA-0723205-1 <span style="float: right;">48 S</span>
Tip, Wing, RH	A	20-52R-80A <span style="float: right;">T</span> GF0723200-6 <span style="float: right;">45 K</span> SA-0723200-6 <span style="float: right;">45 3 1 S</span> SA-0723205-2 <span style="float: right;">48 S</span>
Wing Pos., Light Shield, LH	A	219-4-7 <span style="float: right;">7 A</span>
Wing Pos., Light Shield, RH	A	219-4-8 <span style="float: right;">7 A</span>

172RG, FP172, FR172E, FR172K, P172D, R172E,F,G,H,J,K S/N 172RG0001 thru 172RG1191 S/N FP172-0001 thru FP172-0003 S/N FR172-0001 thru FR172-0060 S/N FR17200591 thru FR17200675 S/N P17257120 thru P17257188 S/N R172-0001 thru R1723454		
Description	Idx	Part Number
Cap, Rudder Top	P	28-04-80A <span style="float: right;">50 T</span> K0531006-34 <span style="float: right;">60 K</span> K0531006-112 <span style="float: right;">61 K</span> SA-0531006-112 <span style="float: right;">55 S</span>
Cap, Vertical Fin All with 2 1/4" Beacon Base	O	GF0531033-1 <span style="float: right;">49 58 K</span> SA-0531003-1 <span style="float: right;">53 S</span>
Fairing, Brake Cover, LH	K	SA-0541224-1 <span style="float: right;">51 S</span>
Fairing, Brake Cover, RH	K	SA-0541224-2 <span style="float: right;">51 S</span>
Fairing, Dorsal Fin, Aft	N	K0531012-2 <span style="float: right;">53 K</span> SA-0531012-2 <span style="float: right;">53 S</span>
Fairing, Landing Gear, LH	J	244-4-9 <span style="float: right;">51 A</span> SA-1741005-239 <span style="float: right;">51 S</span>
Fairing, Landing Gear, RH	J	SA-1741005-240 <span style="float: right;">51 S</span>
Fairing, Main Wheel, LH (Wheel Pant)	B	GF0541223-01 <span style="float: right;">51 K</span> SA-0541223-17 <span style="float: right;">51 S</span>
Fairing, Main Wheel, RH (Wheel Pant)	B	GF0541223-02 <span style="float: right;">51 K</span> SA-0541223-16 <span style="float: right;">51 S</span>
Fairing, Nose Wheel	C	GF0543079-00 <span style="float: right;">51 K</span> SA-0543079-3 <span style="float: right;">51 S</span>
Fairing, Strut To Fuslg, LH	I	K0522150-1 <span style="float: right;">59 T</span> SA-0522150-1 <span style="float: right;">59 5 S</span>
Fairing, Strut To Fuslg, RH	I	K0522150-2 <span style="float: right;">59 T</span> SA-0522150-2 <span style="float: right;">59 5 S</span>

**Continued on next column**

**Continued from previous column**

172RG, FP172, FR172E, FR172K, P172D, R172E,F,G,H,J,K cont. S/N 172RG0001 thru 172RG1191 S/N FP172-0001 thru FP172-0003 S/N FR172-0001 thru FR172-0060 S/N FR17200591 thru FR17200675 S/N P17257120 thru P17257188 S/N R172-0001 thru R1723454		
Description	Idx	Part Number
Fairing, Strut To Wing, LH	H	K0522150-3 <span style="float: right;">56 T</span> SA-0523047-1 <span style="float: right;">53 S</span> SA-0522150-3 <span style="float: right;">56 S</span>
Fairing, Strut To Wing, RH	H	K0522150-4 <span style="float: right;">56 T</span> SA-0523047-2 <span style="float: right;">53 S</span> SA-0522150-4 <span style="float: right;">56 S</span>
Fairing, Tailcone (Cable Covers) LH or RH	S	SA-0530011-2 <span style="float: right;">53 S</span>
Fairing Wing Rear Low. LH	L	GF0520006-01 <span style="float: right;">49 K</span>
Fairing Wing Rear Low. RH	L	GF0520006-02 <span style="float: right;">49 K</span>
Tip, Dorsal Fin	M	SA-0531020-1 <span style="float: right;">53 S</span>
Tip, Elevator, LH	T	GF0532001-94 <span style="float: right;">57 K</span> SA-0532001-94 <span style="float: right;">54 S</span>
Tip, Elevator, RH	T	GF0532001-100 <span style="float: right;">57 K</span> SA-0532001-100 <span style="float: right;">54 S</span>
Tip, Rudder Butt	Q	GF053100680-791 <span style="float: right;">55 K</span> K0531006-35 <span style="float: right;">56 K</span> SA-0531006-80 <span style="float: right;">53 S</span>
Tip, Horiz. Stab., LH or RH	R	GF0532001-00 <span style="float: right;">57 K</span> SA-0532001-93 <span style="float: right;">53 S</span>
Tip, Wing, LH	A	20-52L-80A <span style="float: right;">55 T</span> GF0723200-5 <span style="float: right;">49 51 K</span> SA-0723200-5 <span style="float: right;">55 3 1 S</span>
Tip, Wing, RH	A	20-52R-80A <span style="float: right;">55 T</span> GF0723200-6 <span style="float: right;">49 51 K</span> SA-0723200-6 <span style="float: right;">55 3 1 S</span>
Tip, Wing, Sym., LH or RH	A	K0723615-200 <span style="float: right;">56 K</span>
Wing Pos., Light Shield, LH	A	219-4-7 <span style="float: right;">7 A</span>
Wing Pos., Light Shield, RH	A	219-4-8 <span style="float: right;">7 A</span>

**Notes:**

- 1 Add "LL-14V or LL-28V" suffix for FAA-PMA/STC wing tips including Quasar LED landing/taxi lights and optimized to accept LED nav/strobe lights. Must purchase as a LH and RH kit. See Lighting section of catalog. Add "LED" suffix for FAA-PMA/STC wing tips optimized to accept LED nav/strobe lights.
- 2 For wings with a conical wing tip
- 3 For kits including LH and RH see page 420
- 4 FAA-PMA/STC approved split fairing for easy install and removal
- 5 Also available as a FAA-PMA/STC approved split Fairing for easy install and removal; add an "SP" suffix to the P/N
- 6 For wings with a conical wing tip
- 7 For a wing with STOL leading edge radius
- 42 S/N 17267585 thru 17275953 only
- 43 S/N 17267585 thru 17276260 only
- 44 S/N 17267585 thru 17276654 only
- 45 S/N 17267585 and on
- 46 S/N 17274010 thru 17276654 only
- 47 S/N 17275954 and on
- 48 S/N 17280001 and on
- 49 S/N 172RG0001 thru 172RG1178 only
- 50 Model 172RG only
- 51 Model R172K only
- 53 Models 172RG and R172K only
- 54 Models 172RG, R172K and P172D only
- 55 Models 172RG, FR172K and R172K only
- 56 Models FP172 and P172D only
- 57 Models FP172, FR172K, P172 and R172K only
- 58 Models FR172K and R172K only
- 59 Models 172RG, FP172, R172K and P172D only
- 60 Models P172D, FP172, FR172E only

**Continued on next page**

**Cessna 170, 172, 175, 177 Series**  
continued from previous page

<b>F172D,E,F,G,H,K,L,M,N,P</b>			
S/N F172-0001 thru F17202254			
Description	Idx	Part Number	
Cap, Rudder Top	P	28-04-80A	79 T
		28-0531006-34-80A	63 T
		28-19-80A	73 T
		K0531006-34	63 K
		K0531006-112	79 K
		SA-0531006-34	64 S
		SA-0531006-112	78 S
Cap, Vertical Fin No Beacon Base	O	28-0531006-33-80A	63 T
		SA-0531006-33	66 S
		28-0531109-180A	67 T
Cap, Vertical Fin 2 1/4" Beacon Base	O	28-24-80A	72 T
		GF0531033-1	80 K
		SA-0531013-1	70 S
		SA-0531033-6	78 S
Fairing, Brake Cover, LH	K	SA-0541224-1	78 S
Fairing, Brake Cover, RH	K	SA-0541224-2	78 S
Fairing, Dorsal Fin, Aft	N	28-17	72 T
		K0531012-2	K
Fairing, Landing Gear, LH	J	GF0541223-01	78 K
		SA-1741005-239	77 S
Fairing, Landing Gear, RH	J	GF0541223-02	78 K
		SA-1741005-240	77 S
Fairing, Main Wheel, LH (Wheel Pant)	B	K0741046-203	64 K
		SA-0541203-1	76 S
		SA-0541223-17	78 S
Fairing, Main Wheel, RH (Wheel Pant)	B	K0741046-202	64 K
		SA-0541203-2	76 S
		SA-0541223-16	78 S
Fairing, Nose Wheel	C	20-40N-80A	78 T
		GF0543079-00	78 K
		SA-0543065-1	76 S
		SA-0543079-3	78 S
Fairing Wing Rear Low. LH	L	K0522150-1	T
		SA-0522150-1	S
Fairing Wing Rear Low. RH	L	K0522150-2	T
		SA-0522150-2	S
Fairing, Strut To Wing, LH	H	K0522150-3	65 T
		SA-0522150-3	65 S
		SA-0523047-1	78 S
Fairing, Strut To Wing, RH	H	K0522150-4	65 T
		SA-0522150-4	65 S
		SA-0523047-2	78 S
Fairing, Tailcone, (Cable Covers) LH or RH	S	28-18	T
		SA-0530011-2	S
Tip, Dorsal Fin	M	28-15	67 T
Tip, Elevator, LH	T	GF0532001-94	K
		SA-0532001-94	S
Tip, Elevator, RH	T	GF0532001-100	K
		SA-0532001-100	S
Tip, Rudder Butt	Q	28-21-80A	66 T
		K0531006-35	63 K
		GF053100680-791	74 K
		SA-0531006-35	64 S
		SA-0531006-80	71 S
Tip, Horiz. Stab., LH or RH	R	GF0532001-00	K
		SA-0532001-93	S
Tip, Wing, LH	A	20-51L-80A	69 T
		20-52L-80A	78 T
		SA-0523565-29	75 S
		SA-0723200-5	78 S
Tip, Wing, RH	A	20-51R-80A	69 T
		20-52R-80A	78 T
		SA-0523565-30	75 S
		SA-0723200-6	78 S
Tip, Wing, Sym., LH or RH	A	K0723615-200	64 K

**Continued on next column**

**Continued from previous column**

**175, 175A,B,C**

S/N 55001 thru 17557119

Description	Idx	Part Number	
Cap, Rudder Top	P	SA-0531006-34	85 S
Cap, Vertical Fin	O	SA-0531001-36	82 S
No Beacon Base		SA-0531006-33	85 S
Cap, Vertical Fin 3 1/2" Beacon Base	O	SA-0531004-3	82 S
Fairing, Strut To Fuslg, LH	I	28-07-LFS	83 T
		K0522150-1	83 T
Fairing, Strut To Fuslg, RH	I	SA-0522150-1	5 S
		28-07-RFS	83 T
Fairing, Strut To Wing, LH	H	K0522150-2	83 T
		SA-0522150-2	5 S
Fairing, Strut To Wing, RH	H	28-06-LWS	83 T
		K0522150-3	83 T
Fairing, Strut To Wing, RH	H	SA-0522150-3	5 S
		28-06-RWS	83 T
Tip, Elevator, LH or RH	T	K0522150-4	83 T
		SA-0522150-4	5 S
Tip, Rudder Butt	Q	K0532001-62	84 K
		SA-0532001-62	84 S
Tip, Rudder Butt	Q	28-21-80A	85 T
		K0531104	82 K
		SA-0531104	82 S
		SA-0531006-35	85 S

**Notes:**

- 3 For kits including LH and RH see page 420
- 4 FAA-PMA/STC approved split fairing for easy install and removal
- 5 Also available as a FAA-PMA/STC approved split Fairing for easy install and removal; add an "SP" suffix to the P/N
- 6 For wings with a conical wing tip
- 7 For a wing with STOL leading edge radius
- 49 S/N 172RG0001 thru 172RG1178 only
- 50 Model 172RG only
- 51 Model R172K only
- 53 Models 172RG and R172K only
- 54 Models 172RG, R172K and P172D only
- 55 Models 172RG, FR172K and R172K only
- 56 Models FP172 and P172D only
- 57 Models FP172, FR172K, P172 and R172K only
- 58 Models FR172K and R172K only
- 59 Models 172RG, FP172, R172K and P172D only
- 60 Models P172D, FP172, FR172E only
- 61 Models R172K and 172RG S/N 172RG0001 thru 172RG1134
- 63 S/N F172-0001 thru F172-0559 only
- 64 S/N F172-0001 thru F17200754 only
- 65 S/N F172-0001 thru F17200904 only
- 66 S/N F172-0019 thru F17200754 only
- 67 S/N F172-0320 thru F172-0559 only
- 68 S/N F172-0320 thru F17200754 only
- 69 S/N F172-0320 thru F17200904 only
- 70 S/N F172-0320 thru F17201514
- 71 S/N F172-0320 and on
- 72 S/N F172-0560 thru F17201234 only
- 73 S/N F172-0560 thru F17201384 only
- 74 S/N F172-0560 and on
- 75 S/N F17200755 thru F17200904
- 76 S/N F17200755 thru F17201514
- 77 S/N F17200755 and on
- 78 S/N F17200905 and on
- 79 S/N F17201385 thru F17202208 only
- 80 S/N F17201385 and on
- 81 For kits including LH and RH see page 420
- 82 S/N 55001 thru 56238 only
- 83 S/N 56025 and on
- 84 S/N 56239 thru 17557064 only

**Continued on next page**

### Cessna 170, 172, 175, 177 Series continued from previous page

Exterior Plastic and Fiberglass

175, 175A,B,C continued S/N 55001 thru 17557119		
Description	Idx	Part Number
Tip, Horiz. Stab., LH or RH	R	K0532001-61 <span style="float: right;">85 K</span>
		SA-0532001-61 <span style="float: right;">85 S</span>
Tip, Wing, Conical, LH	A	SA-0523565-29 <span style="float: right;">3 1 S</span>
Tip, Wing, Conical, RH	A	SA-0523565-30 <span style="float: right;">3 1 S</span>
Tip, Wing, Hoerner Style	A	11004 (set of two) <span style="float: right;">K</span>
Tip, Wing, Sym., LH or RH	A	K0723615-200 <span style="float: right;">K</span>
		SA-0723615-200 <span style="float: right;">S</span>
Wing Pos., Light Shield, RH	A	219-4-6 <span style="float: right;">6 A</span>

177, 177A,B, 177RG, F177RG S/N 17700001 thru 17702752 S/N 177RG0001 thru 177RG1366 S/N F177RG0001 thru F177RG0177		
Description	Idx	Part Number
Cap, Rudder Top	P	K1733009-2 <span style="float: right;">K</span>
		SA-1733009-2 <span style="float: right;">91 S</span>
Cap, Vertical Fin	O	SA-1731009-4 <span style="float: right;">91 S</span>
		K1731009-4 <span style="float: right;">91 K</span>
Fairing, Brake, LH	K	SA-0741634-13 <span style="float: right;">87 S</span>
		SA-1741027-1 <span style="float: right;">89 S</span>
Fairing, Brake, RH	K	SA-0741634-14 <span style="float: right;">87 S</span>
		SA-1741027-2 <span style="float: right;">89 S</span>
Fairing, Landing Gear, LH	J	SA-1741005-43 <span style="float: right;">90 S</span>
Fairing, Landing Gear, RH	J	SA-1741005-44 <span style="float: right;">90 S</span>
Fairing, Main Wheel, LH (Wheel Pant)	B	GF0541223-01 <span style="float: right;">89 K</span>
		K0741046-203 <span style="float: right;">90 K</span>
		SA-0541203-1 <span style="float: right;">88 S</span>
Fairing, Main Wheel, RH (Wheel Pant)	B	GF0541223-02 <span style="float: right;">89 K</span>
		K0741046-202 <span style="float: right;">90 K</span>
		SA-0541203-2 <span style="float: right;">88 S</span>

**Continued on next column**

Manufacturer/Material: **A** Aircraft Development/Fiberglass, **K** Knots 2U/Fiberglass, **S** Stene Aviation/Fiberglass, **T** Texas Aeroplastics/ABS Plastic Parts

Continued from previous column		
Fairing, Nose Wheel	C	20-40N-80A <span style="float: right;">88 T</span>
		GF0543079-00 <span style="float: right;">89 K</span>
		K0743625-14 <span style="float: right;">90 K</span>
		SA-0543065-1 <span style="float: right;">88 S</span>
Tip, Horiz. Stab., LH or RH	R	GF1732024-1-791 <span style="float: right;">K</span>
		SA-1732024-1 <span style="float: right;">91 S</span>
Tip, Wing, LH	A	GF1723005-11 <span style="float: right;">93 K</span>
		SA-1723000-201 <span style="float: right;">86 S</span>
		SA-1723005-11 <span style="float: right;">92 S</span>
Tip, Wing, RH	A	GF1723005-12 <span style="float: right;">93 K</span>
		SA-1723000-200 <span style="float: right;">86 S</span>
		SA-1723005-12 <span style="float: right;">92 S</span>

**Notes:**

**1** Add "LL-14V or LL-28V" suffix for FAA-PMA/STC wing tips including Quasar LED landing/taxi lights and optimized to accept LED nav/strobe lights. Must purchase as a LH and RH kit. See Lighting section of catalog. Add "LED" suffix for FAA-PMA/STC wing tips optimized to accept LED nav/strobe lights.

**3** For kits including LH and RH see below

**5** Also available as a FAA-PMA/STC approved split Fairing for easy install and removal; add an "SP" suffix to the P/N

**82** S/N 55001 thru 56238 only

**83** S/N 56025 and on

**84** S/N 56239 thru 17557064 only

**85** S/N 56239 and on

**86** Model 177, 177A S/N 17700001 thru 17701370 only

**87** Model 177B, S/N 17701371 thru 17702123 only

**88** Model 177B S/N 17701371 and on

**89** Model 177B S/N 17702124 and on

**90** Model 177,177A,B only

**91** Model 177, 177A,B and 177RG only

**92** Model 177B and 177RG only

**93** Model 177B, 177RG and F177RG

Kits available for 170, 172, 175 and 177 aircraft			
Kit P/N	Kit Description	Part Number	Item Description
28-05-80A	Landing Gear Fairing Kit	28-05-LGF	Fairing, Landing Gear, LH
		28-05-RGF	Fairing, Landing Gear, RH
28-06-80A	Strut Fairing Kit, Plastic	28-07-LFS	Fairing, Strut To Fuselage, LH
		28-07-RFS	Fairing, Strut To Fuselage, RH
		28-06-LWS	Fairing, Strut To Wing, LH
		28-06-RWS	Fairing, Strut To Wing, RH
		28-07-LFS	Fairing, Strut To Fuselage, LH
28-07-80A	Strut Fairing Kit, Plastic	28-07-RFS	Fairing, Strut To Fuselage, RH
		28-07-LWS	Fairing, Strut To Wing, LH
		28-07-RWS	Fairing, Strut To Wing, RH
		28-08-LBC	Fairing, Brake Cover, LH
28-08-80A	Brake Cover Fairing Kit	28-08-RBC	Fairing, Brake Cover, RH
		K0522150-1	Fairing, Strut to Fuselage, LH
KPS03	Split Strut Fairing Kit, Plastic	K0522150-2	Fairing, Strut to Fuselage, RH
		K0522150-3	Fairing, Strut to Wing, LH
		K0522150-4	Fairing, Strut to Wing, RH
		SA-0522150-1	Fairing, Strut to Fuselage, LH
SA-0522150-3412	Strut Fairing Kit, Fiberglass for FAA-PMA/STC split Fairings add an "SP" suffix to the kit P/N	SA-0522150-2	Fairing, Strut to Fuselage, RH
		SA-0522150-3	Fairing, Strut to Wing, LH
		SA-0522150-4	Fairing, Strut to Wing, RH
		SA-0522150-1	Fairing, Strut to Fuselage, LH
SA-0523047-1212	Strut Fairing Kit, Fiberglass for FAA-PMA/STC split Fairings add an "SP" suffix to the kit P/N	SA-0522150-2	Fairing, Strut to Fuselage, RH
		SA-0523047-1	Fairing, Strut to Wing, LH
		SA-0523047-2	Fairing, Strut to Wing, RH
		SA-0523565-29	Tip, Wing, Conical, LH
SA-0523565-2930	Wing Tips <b>1 2</b>	SA-0523565-30	Tip, Wing, Conical, RH
		SA-0723200-5	Tip, Wing, Conical, LH
SA-0723200-56	Wing Tips <b>1 2</b>	SA-0723200-6	Tip, Wing, Conical, RH

**Kit Notes:**

**1** Add "LL-14V (14 Volt Installation) or LL-28V (28 Volt Installation)" suffix for FAA-PMA/STC wing tips including Quasar LED landing/taxi lights and optimized to accept LED nav/strobe lights. Installation kit including all hardware required for installation of Quasar LED lighted wing tips is included. Kits include shielded wire, all connectors, switches and breaker.

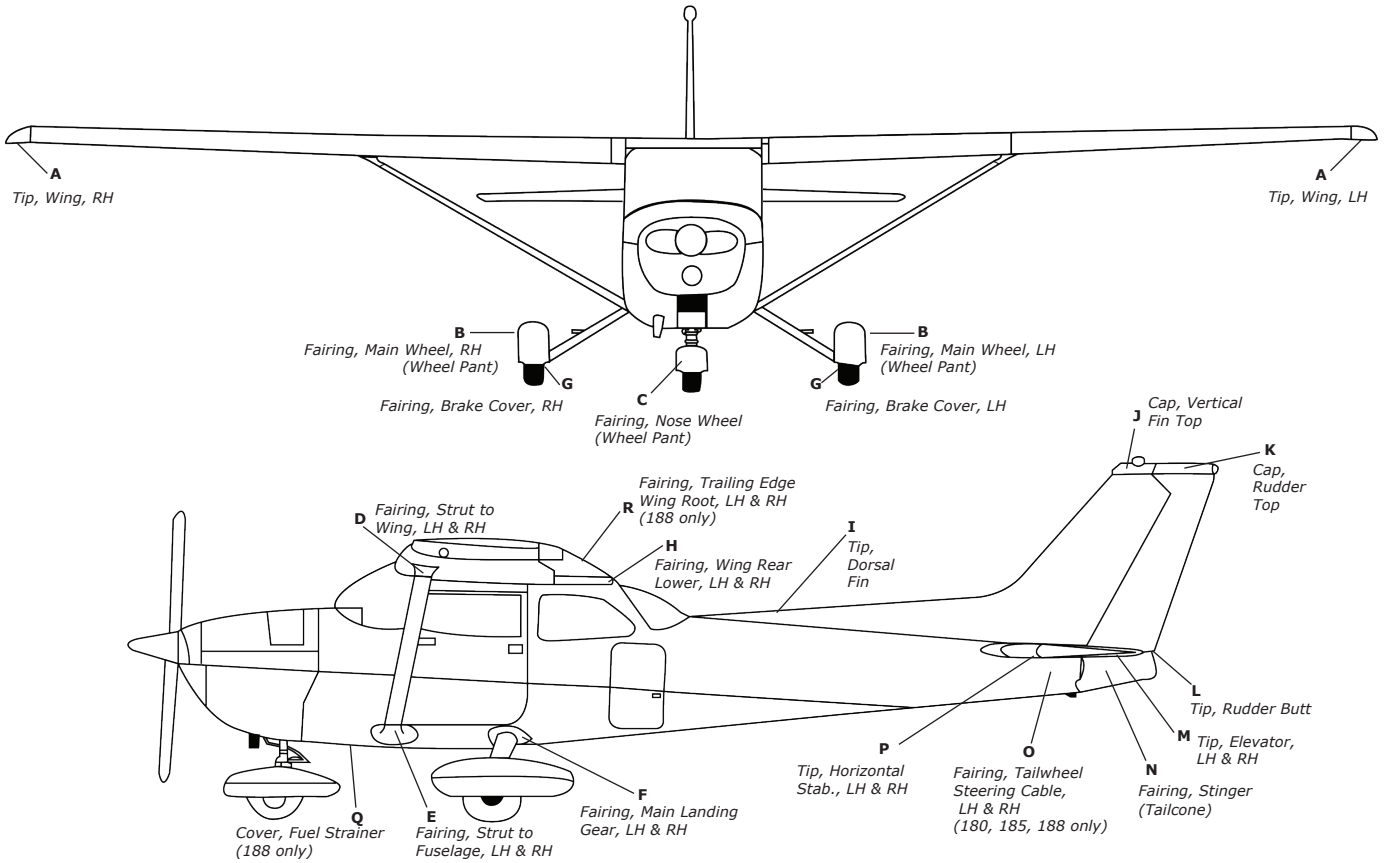
**2** Add "LED" suffix for FAA-PMA/STC wing tips optimized to accept LED nav/strobe lights.

# Exterior Plastic and Fiberglass Cessna



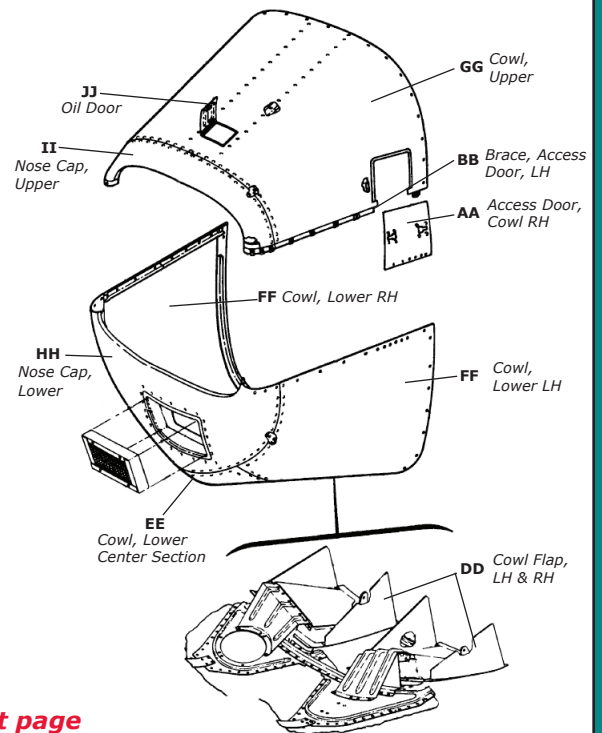
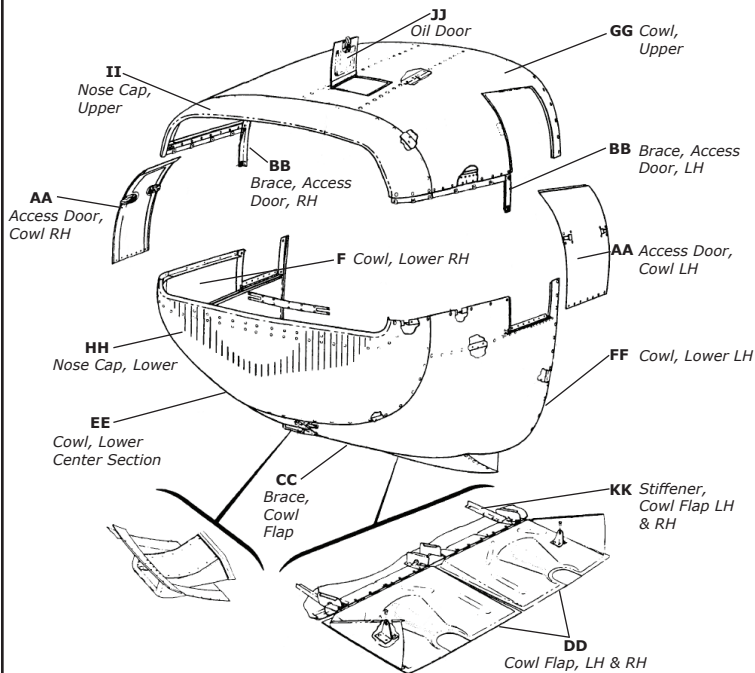
## Cessna 180, 182, 185, 188 Series

Exterior Plastic and Fiberglass



**Models**  
180, 180A,B, 182, 182A

**Models**  
180C,D,E,F,G,H,K, 182B,C,D



**Eligibility on next page**

### Cessna 180, 182, 185, 188 Series continued from previous page

Exterior Plastic and Fiberglass

180, 180A,B,C,D,E,F,G,H,J,K S/N 30000 thru 18053203			
Description	Idx	Part Number	
Access Door, Cowl LH	AA	SC180701-1	8 K
		SC180703-1	17 K
		SC180704-1	26 K
Access Door, Cowl RH	AA	SC180702-1	8 K
Brace Access Door, LH	BB	SC180900-1	8 K
Brace Access Door, RH	BB	SC180900-2	8 K
Brace, Cowl Flap	CC	SC180901-2	8 K
Cap, Vertical Fin No Beacon Base	J	SA-0731000-200	22 S
Cap, Vertical Fin 2 1/4" Beacon Base	J	SA-0731019-1	25 S
		SA-0731019-2	31 S
Cap, Vert. Fin 3 1/2" Beacon Base	J	SA-0700031-2	S
Cowl Flap, LH	DD	SC180804-1	18 K
Cowl Flap, RH	DD	SC180805-1	18 K
Cowl Flap, LH Exhst Cutout	DD	SC180800-1	7 K
		SC180802-1	13 K
Cowl Flap, RH Exhst Cutout	DD	SC180801-1	7 K
		SC180803-1	13 K
Cowl, Lower Center Section	EE	SC180501-1	7 K
		SC180502-1	13 K
		SC180504-1	16 K
Cowl, Lower Left (Screws)	FF	SC180401-1	8 K
		SC180403-1	21 K
Cowl, Lower Right (Screws)	FF	SC180402-1	8 K
		SC180404-1	15 K
Cowl, Upper	GG	SC180200-1	8 K
		SC180201-1	15 K
		SC180202-1	19 K
		SC180203-1	24 K
		SC180204-1	26 K
Fairing, Brake Cover, LH	G	SA-0741059-1	S
Fairing, Brake Cover, RH	G	SA-0741059-2	S
Fairing, Main Wheel, LH (Wheel Pant)	B	SA-0741070-1	30 S
Fairing, Main Wheel, RH (Wheel Pant)	B	SA-0741070-2	30 S
Fairing, Stinger (Tailcone)	N	SA-0712400-9	S
Fairing, Strut To Fuslg, LH	E	180-LFS-T	T
		K0723605-1	14 T
		SA-0723605-1	2 S
Fairing, Strut To Fuslg, RH	E	180-RFS-T	T
		K0723605-2	14 T
		SA-0723605-2	2 S
Fairing, Strut To Wing, LH	D	118-4-9	A
		180-LWS	T
		K0723605-3	14 T
		SA-0723605-3	2 S
Fairing, Strut To Wing, RH	D	180-RWS	T
		K0723605-4	14 T
		SA-0723605-4	2 S
Fairing, Tailwhl Strg Cbl LH	O	SA-0712309-9	S
Fairing, Tailwhl Strg Cbl RH	O	SA-0712309-10	S
Nose Cap, Lower (Camloc Air Filter)	HH	SC180604-1	20 K
		SC180605-1	24 K
Nose Cap, Lower (Camloc Landing Light)	HH	SC180606-1	29 K
Nose Cap, Lower (Screws)	HH	SC180601-1	7 K
		SC180602-1	14 K

**Continued on next column**

180, 180A,B,C,D,E,F,G,H,J,K continued S/N 30000 thru 18053203			
Description	Idx	Part Number	
Nose Cap, Lower (Screws Air Filter)	HH	SC180603-1	15 K
Nose Cap, Upper	II	SC180301-1	7 K
		SC180302-1	13 K
		SC180303-1	15 K
		SC180304-1	20 K
		SC180305-1	26 K
Oil Door	JJ	SC180752-1	26 K
		WAC752000	9 27
Stiffener, Cowl Flap LH	KK	SC180900-3	8 K
Stiffener, Cowl Flap RH	KK	SC180900-4	8 K
Tip, Horiz. Stab., LH or RH	P	31-11	12 T
		SA-0732613-1	S

**Notes:**

- 2 Also available as a FAA-PMA/STC approved split Fairing for easy install & removal; add "SP" suffix to the P/N
- 3 FAA-PMA/STC approved split Fairing for easy installation and removal
- 4 For kits including LH and RH, see page 427
- 5 For wings with a conical wing tip
- 6 For a wing with STOL leading edge radius
- 7 S/N 30000 thru 32261 only
- 8 S/N 30000 thru 50661 only
- 9 S/N 30000 thru 18051445 only
- 10 S/N 30000 thru 18051774 only
- 11 S/N 30000 thru 18052284 only
- 12 S/N 30000 thru 18052384 only
- 13 S/N 32662 thru 50661 only
- 14 S/N 50386 and on
- 15 S/N 50662 thru 50911 only
- 16 S/N 50662 thru 18051183 only
- 17 S/N 50662 thru 18051445 only
- 18 S/N 50662 and on
- 19 S/N 18050912 thru 18051445
- 20 S/N 18050912 thru 18052284
- 21 S/N 18050912 and on
- 22 S/N 18051184 thru 18052770 only
- 23 S/N 18051184 and on
- 24 S/N 18051446 thru 18052284 only
- 25 S/N 18051446 thru 18052989 only
- 26 S/N 18051446 and on
- 27 S/N 18052176 thru 18052284 only
- 28 S/N 18052285 and on
- 29 S/N 18052385 and on
- 30 S/N 18052771 and on
- 31 S/N 30000 thru 32261 that have been modified with the Kenmore gross weight increase and have the large vertical Fin
- 33 P/N WAC752000 is an aluminum oil door manufactured by McFarlane
- 34 S/N 33000 thru 51556 only
- 35 S/N 33000 thru 52358 only
- 36 S/N 33000 thru 18253598 only
- 37 S/N 33000 thru 18255844 only
- 38 S/N 33000 thru 18259305 only
- 39 S/N 33000 thru 18260055 only
- 40 S/N 51557 thru 53007 only
- 41 S/N 51557 thru 18253598 only
- 42 S/N 51557 and on
- 43 S/N 52359 thru 18257625 only
- 44 S/N 18253008 thru 18253598 only
- 45 S/N 18253599 thru 18257625 only
- 46 S/N 18253599 and on
- 47 S/N 18255845 and on
- 48 S/N 18257626 thru 18260445 only
- 49 S/N 18257626 and on

**Continued on next page**



**Exterior Plastic and Fiberglass**  
Cessna



**Cessna 180, 182, 185, 188 Series**  
continued from previous page

180, 180A,B,C,D,E,F,G,H,J,K continued S/N 30000 thru 18053203		
Description	Idx	Part Number
Tip, Wing, LH	A	20-51L-80A 24 T
		20-52L-80A 28 T
		GF0723200-5 28 K
		SA-0723200-5 28 4 1 S
Tip, Wing, RH	A	20-51R-80A 24 T
		20-52R-80A 28 T
		GF0723200-6 28 K
		SA-0723200-6 28 4 1 S
Tip, Wing, Conical, LH	A	GF0523565-29791 27 K
		SA-0523565-29 27 4 1 S
Tip, Wing, Conical, RH	A	GF0523565-30791 27 K
		SA-0523565-30 27 4 1 S
Tip, Wing, Hoerner Style	A	11004 (set of two) 11 K
Tip, Wing, Sym., LH or RH	A	K0723615-200 10 K
		SA-0723615-200 11 S
Wing Pos., Light Shield, LH	A	219-4-7 28 6 A
Wing Pos., Light Shield, RH	A	219-4-8 28 6 A
182, 182A,B,C,D,E,F,G,H,J,K,L,M,N S/N 33000 thru 18260825		
Description	Idx	Part Number
Access Door, Cowl LH	AA	SC180701-1 34 K
		SC180703-1 41 K
Access Door, Cowl RH	AA	SC180702-1 34 K
Brace Access Door, LH	BB	SC180900-1 36 K
Brace Access Door, RH	BB	SC180900-2 36 K
Cap, Rudder Top	K	GF0731606-04 46 K
		GF0731606-01 49 K
		SA-0731606-6 49 S
		SA-1231001-2 45 S
Cap, Vertical Fin No Beacon Base	J	GF0731606-03 45 K
		K0731606-1 49 K
		SA-0731606-1 49 S
		SA-0731000-200 35 S
Cap, Vert. Fin Small Beacon Base	J	K0731606-3 49 K
Cap, Vert. Fin 2 1/4" Beacon Base	J	SA-0731019-1 35 S
		SA-0731606-3 49 S
Cap, Vert. Fin 3 1/2" Beacon Base	J	SA-0700031-2 35 S
		SA-1200039-2 43 S
Cowl Flap, LH	DD	SC180804-1 41 K
Cowl Flap, RH	DD	SC180805-1 41 K
Cowl, Lower Center Section	EE	SC180502-2 34 K
		SC180504-1 41 K
Cowl, Lower Left (Screws)	FF	SC180403-1 40 K
Cowl, Lower Left (Screws, No Cowl Flap)	FF	SC180401-2 34 K
		SC180404-1 40 K
Cowl, Lower Right (Screws)	FF	SC180402-2 34 K
		SC180200-1 34 K
Cowl, Upper	GG	SC180201-1 40 K
		SC180202-1 44 K
Fairing, Main Wheel, LH (Wheel Pant)	B	K0741046-203 48 K
		SA-0541203-1 51 S
Fairing, Main Wheel, RH (Wheel Pant)	B	K0741046-202 48 K
		SA-0541203-2 51 S
Fairing, Nose Wheel	C	K0743625-14 48 K
		SA-0543065-1 51 S
Fairing, Stinger (Tailcone)	N	K1212010-19 46 K
		SA-1212010-15 S

Continued on next column

182, 182A,B,C,D,E,F,G,H,J,K,L,M,N continued S/N 33000 thru 18260825		
Description	Idx	Part Number
Fairing, Strut To Fuslg, LH	E	118-4-17 46 A
		182-LFS T
		K0723612-3 46 T
		SA-0723605-1 36 2 S
		SA-0723612-3 46 2 S
Fairing, Strut To Fuslg, RH	E	118-4-16 46 A
		182-RFS T
		K0723612-4 46 T
Fairing, Strut To Wing, LH	D	118-4-9 A
		180-LWS T
		K0723605-3 42 T
Fairing, Strut To Wing, RH	D	SA-0723605-3 2 S
		180-RWS T
		K0723605-4 42 T
Nose Cap, Lower (Camloc Air Filter)	HH	SC180604-1 44 K
		SC180602-1 34 K

**Notes:**

- 1 Add "LL-14V or LL-28V" suffix for FAA-PMA/STC wing tips including Quasar LED landing/taxi lights and optimized to accept LED nav/strobe lights. Must purchase as a LH and RH kit. See page 427. Add "LED" suffix for FAA-PMA/STC wing tips optimized to accept LED nav/strobe lights.
- 2 Also available as a FAA-PMA/STC approved split Fairing for easy install & removal; add "SP" suffix to the P/N
- 3 FAA-PMA/STC approved split Fairing for easy installation and removal
- 4 For kits including LH and RH, see page 427
- 5 For wings with a conical wing tip
- 6 For a wing with STOL leading edge radius
- 21 S/N 18050912 and on
- 22 S/N 18051184 thru 18052770 only
- 23 S/N 18051184 and on
- 24 S/N 18051446 thru 18052284 only
- 25 S/N 18051446 thru 18052989 only
- 26 S/N 18051446 and on
- 27 S/N 18052176 thru 18052284 only
- 28 S/N 18052285 and on
- 29 S/N 18052385 and on
- 30 S/N 18052771 and on
- 31 S/N 30000 thru 32261 that have been modified with the Kenmore gross weight increase and have the large vertical fin
- 33 P/N WAC752000 is an aluminum oil door manufactured by McFarlane
- 34 S/N 33000 thru 51556 only
- 35 S/N 33000 thru 52358 only
- 36 S/N 33000 thru 18253598 only
- 37 S/N 33000 thru 18255844 only
- 38 S/N 33000 thru 18259305 only
- 39 S/N 33000 thru 18260055 only
- 40 S/N 51557 thru 53007 only
- 41 S/N 51557 thru 18253598 only
- 42 S/N 51557 and on
- 43 S/N 52359 thru 18257625 only
- 44 S/N 18253008 thru 18253598 only
- 45 S/N 18253599 thru 18257625 only
- 46 S/N 18253599 and on
- 47 S/N 18255845 and on
- 48 S/N 18257626 thru 18260445 only
- 49 S/N 18257626 and on
- 50 S/N 18258686 and on
- 51 S/N 18260056 thru 18260825 only

Continued on next page

### Cessna 180, 182, 185, 188 Series continued from previous page

Exterior Plastic and Fiberglass

182, 182A,B,C,D,E,F,G,H,J,K,L,M,N continued S/N 33000 thru 18260825			
Description	Idx	Part Number	
Nose Cap, Lower (Screws Air Filter)	HH	SC180603-1	40 K
Nose Cap, Upper	II	SC180302-1	34 K
		SC180303-1	40 K
		SC180304-1	44 K
Oil Door (Aluminum)	JJ	WAC752000	37
Tip, Elevator, LH	M	31-10 LEFT	47 T
		GF1234608-01	47 K
		SA-1234608-3	47 S
Tip, Elevator, RH	M	31-10 RIGHT	47 T
		GF1234608-02	47 K
		SA-1234608-4	47 S
Tip, Horiz. Stab., LH or RH	P	31-11	37 T
		31-09	T
		SA-0732613-1	35 S
		GF1232604-1	47 K
		SA-1232604-1	47 S
Tip, Wing, LH	A	20-51L-80A	51 T
Tip, Wing, RH	A	20-51R-80A	51 T
Tip, Wing, Conical, LH	A	GF0523565-29791	52 K
		SA-0523565-29	4 1 S
Tip, Wing, Conical, RH	A	GF0523565-30791	52 K
		SA-0523565-30	4 1 S
Tip, Wing, Hoerner Style	A	11004 (set of two)	K
Tip, Wing, Sym., LH or RH	A	K0723615-200	39 K
		SA-0723615-200	38 S

182P,Q,R, T182 S/N 18260826 thru 18268586			
Description	Idx	Part Number	
Cap, Rudder Top	K	GF0731606-04	K
		GF0731606-01	55 K
		SA-0731606-6	55 S
		SA-0731606-9	63 S
Cap, Vertical Fin No Beacon Base	J	GF0731606-03	63 K
		K0731606-1	55 K
		SA-0731606-1	55 S
		SA-0731606-10	63 S
Cap, Vert. Fin Small Beacon Base	J	K0731606-3	55 K
		K1231064	63 K
Cap, Vert. Fin 2 1/4" Beacon Base	J	SA-0731606-3	53 S
		SA-1231059-1	58 S
		SA-1231064-1	63 S
Fairing, Brake Cover, LH	G	31-07-LBC	54 T
		31-08-LBC	60 T
		K0741641-19	61 K
		SA-0741634-11	60 S
		SA-0741634-17	54 S
		SA-0741641-15	65 S
Fairing, Brake Cover, RH	G	31-07-RBC	54 T
		31-08-RBC	60 T
		K0741641-18	61 K
		SA-0741634-10	60 S
		SA-0741634-18	54 S
		SA-0741641-14	65 S
Fairing, Gear Leg, LH	F	244-4-1	55 A
		SA-1741005-201	56 S
Fairing, Gear Leg, RH	F	244-4-2	55 A
		SA-1741005-200	56 S
Fairing Land. Gear Strut LH	F	244-4-7	63 A
		31-03-LGF	63 T
		SA-0741052-201	63 S

**Continued on next column**

182P,Q,R, T182 continued S/N 18260826 thru 18268586			
Description	Idx	Part Number	
Fairing Land. Gear Strut RH	F	244-4-8	63 A
		31-03-RGF	63 T
		SA-0741052-200	63 S
Fairing, Main Wheel, LH (Wheel Pant)	B	GF0541223-01	61 K
		SA-0541223-17	61 S
Fairing, Main Wheel, RH (Wheel Pant)	B	GF0541223-02	61 K
		SA-0541223-16	61 S
Fairing, Nose Wheel	C	20-40N-80A	T
		GF0543079-00	61 K
		SA-0543079-3	61 S
Fairing, Stinger (Tailcone)	N	K1212010-19	K
		SA-1212010-15	S
Fairing, Strut To Fuslg, LH	E	118-4-17	A
		182-LFS	T
		K0723612-3	T
		SA-0723612-3	2 S
Fairing, Strut To Fuslg, RH	E	118-4-16	A
		182-RFS	T
		K0723612-4	T
		SA-0723612-4	2 S

**Notes:**

- 1 Add "LL-14V or LL-28V" suffix for FAA-PMA/STC wing tips including Quasar LED landing/taxi lights and optimized to accept LED nav/strobe lights. Must purchase as a LH and RH kit. See page 427. Add "LED" suffix for FAA-PMA/STC wing tips optimized to accept LED nav/strobe lights.
- 2 Also available as a FAA-PMA/STC approved split Fairing for easy install & removal; add "SP" suffix to the P/N
- 3 FAA-PMA/STC approved split Fairing for easy installation and removal
- 4 For kits including LH and RH, see page 427
- 5 For wings with a conical wing tip
- 6 For a wing with STOL leading edge radius
- 34 S/N 33000 thru 51556 only
- 35 S/N 33000 thru 52358 only
- 36 S/N 33000 thru 18253598 only
- 37 S/N 33000 thru 18255844 only
- 38 S/N 33000 thru 18259305 only
- 39 S/N 33000 thru 18260055 only
- 40 S/N 51557 thru 53007 only
- 41 S/N 51557 thru 18253598 only
- 42 S/N 51557 and on
- 43 S/N 52359 thru 18257625 only
- 44 S/N 18253008 thru 18253598 only
- 45 S/N 18253599 thru 18257625 only
- 46 S/N 18253599 and on
- 47 S/N 18255845 and on
- 48 S/N 18257626 thru 18260445 only
- 49 S/N 18257626 and on
- 50 S/N 18258686 and on
- 51 S/N 18260056 thru 18260825 only
- 52 S/N 18260446 thru 18260825 only
- 53 S/N 18260826 thru 18261425 only
- 54 S/N 18260826 thru 18263475 only
- 55 S/N 18260826 thru 18264295 only
- 56 S/N 18260826 thru 18265175 only
- 57 S/N 18260826 thru 18267300 only
- 58 S/N 18261426 thru 18264295 only
- 59 S/N 18262466 and on
- 60 S/N 18263476 thru 18265590 only
- 61 S/N 18263476 and on
- 62 S/N 18264296 and on
- 64 S/N 18267301 and on
- 65 S/N 18265176 and on

**Continued on next page**

**Exterior Plastic and Fiberglass**  
Cessna



**Cessna 180, 182, 185, 188 Series**  
continued from previous page

Exterior Plastic and Fiberglass

182P,Q,R, T182 continued S/N 18260826 thru 18268586		
Description	Idx	Part Number
Fairing, Strut To Wing, LH	D	118-4-9 <sup>A</sup>
		180-LWS <sup>T</sup>
		K0723605-3 <sup>T</sup>
		SA-0723605-3 <sup>2 S</sup>
Fairing, Strut To Wing, RH	D	180-RWS <sup>T</sup>
		K0723605-4 <sup>T</sup>
		SA-0723605-4 <sup>2 S</sup>
Tip, Dorsal Fin	I	31-12 <sup>59 T</sup>
Tip, Elevator, LH	M	31-10 LEFT <sup>T</sup>
		GF1234608-01 <sup>K</sup>
		SA-1234608-3 <sup>S</sup>
Tip, Elevator, RH	M	31-10 RIGHT <sup>T</sup>
		GF1234608-02 <sup>K</sup>
		SA-1234608-4 <sup>S</sup>
Tip, Horiz. Stab., LH or RH	P	31-09 <sup>57 T</sup>
		GF1232604-1 <sup>57 K</sup>
		GF1232604-2 <sup>64 K</sup>
		SA-1232604-1 <sup>57 S</sup>
Tip, Wing, LH	A	20-52L-80A <sup>T</sup>
		GF0723200-5 <sup>K</sup>
		SA-0723200-5 <sup>4 1 S</sup>
Tip, Wing, RH	A	20-52R-80A <sup>T</sup>
		GF0723200-6 <sup>K</sup>
		SA-0723200-6 <sup>4 1 S</sup>
Wing Pos., Light Shield, LH	A	219-4-7 <sup>6 A</sup>
Wing Pos., Light Shield, RH	A	219-4-8 <sup>6 A</sup>

182S,T, T182T continued S/N 18280001 thru 18299999 and S/N T18208001 thru T18299999		
Description	Idx	Part Number
Cap, Rudder Top	K	GF0731606-04 <sup>66 K</sup>
		SA-0731606-9 <sup>S</sup>
Cap, Vert. Fin Small Beacon Base	J	K1231064 <sup>K</sup>
Cap, Vert. Fin 2 1/4" Beacon Base	J	SA-0731606-11 <sup>66 S</sup>
		SA-1231064-10 <sup>67 S</sup>
Fairing, Brake Cover, LH	G	31-08-LBC <sup>T</sup>
		K0741641-19 <sup>K</sup>
		SA-0741641-15 <sup>66 S</sup>
Fairing, Brake Cover, RH	G	31-08-RBC <sup>T</sup>
		K0741641-18 <sup>K</sup>
		SA-0741641-14 <sup>66 S</sup>
Fairing Land. Gear Strut LH	F	SA-0741052-11 <sup>S</sup>
Fairing Land. Gear Strut RH	F	SA-0741052-12 <sup>S</sup>
Fairing, Main Wheel, LH (Wheel Pant)	B	K0741648-01 <sup>67 K</sup>
		GF0541223-01 <sup>66 K</sup>
		SA-0541223-17 <sup>66 S</sup>
		SA-0741647-1 <sup>67 S</sup>
Fairing, Main Wheel, RH (Wheel Pant)	B	K0741648-02 <sup>67 K</sup>
		GF0541223-02 <sup>66 K</sup>
		SA-0541223-16 <sup>66 S</sup>
		SA-0741647-2 <sup>67 S</sup>
Fairing, Nose Wheel	C	20-40N-80A <sup>T</sup>
		GF0543079-00 <sup>66 K</sup>
		K0743050 <sup>67 K</sup>
		SA-0543079-3 <sup>66 S</sup>
		SA-0743050-14 <sup>67 S</sup>
Fairing, Stinger (Tailcone)	N	K1212010-19 <sup>K</sup>
		SA-1212010-15 <sup>S</sup>

**Continued on next column**

182S,T, T182T continued S/N 18280001 thru 18299999 and S/N T18208001 thru T18299999		
Description	Idx	Part Number
Fairing, Strut To Fuslg, LH	E	118-4-17 <sup>66 A</sup>
		182-LFS <sup>T</sup>
		K0723612-3 <sup>66 T</sup>
		SA-0720702-9 <sup>67 S</sup>
		SA-0723612-3 <sup>66 2 S</sup>
		118-4-16 <sup>66 A</sup>
		182-RFS <sup>T</sup>
Fairing, Strut To Fuslg, RH	E	K0723612-4 <sup>66 T</sup>
		SA-0720702-10 <sup>67 S</sup>
		SA-0723612-4 <sup>66 2 S</sup>
		118-4-9 <sup>66 A</sup>
Fairing, Strut To Wing, LH	D	180-LWS <sup>T</sup>
		K0723605-3 <sup>66 T</sup>
		SA-0720702-1 <sup>67 S</sup>
		SA-0723605-3 <sup>66 2 S</sup>
		180-RWS <sup>T</sup>
		K0723605-4 <sup>66 T</sup>
Fairing, Strut To Wing, RH	D	SA-0720702-2 <sup>67 S</sup>
		SA-0723605-4 <sup>66 2 S</sup>
		Tip, Elevator, LH
Tip, Elevator, RH	M	SA-1234608-3 <sup>S</sup>
		GF1234608-02 <sup>66 K</sup>
Tip, Horiz. Stab., LH or RH	P	SA-1234608-4 <sup>S</sup>
		GF1232604-2 <sup>66 K</sup>
Tip, Wing, LH	A	SA-1232604-2 <sup>S</sup>
		20-52L-80A <sup>T</sup>
		GF0723200-5 <sup>66 K</sup>
		SA-0723200-5 <sup>66 4 1 S</sup>
Tip, Wing, RH	A	SA-0723205-1 <sup>67 S</sup>
		20-52R-80A <sup>T</sup>
		GF0723200-6 <sup>66 K</sup>
Wing Pos., Light Shield, LH	A	SA-0723200-6 <sup>66 4 1 S</sup>
		SA-0723205-2 <sup>67 S</sup>
		219-4-7 <sup>66 6 A</sup>
Wing Pos., Light Shield, RH	A	219-4-8 <sup>66 6 A</sup>

**Notes:**

**1** Add "LL-14V or LL-28V" suffix for FAA-PMA/STC wing tips including Quasar LED landing/taxi lights and optimized to accept LED nav/strobe lights. Must purchase as a LH and RH kit. See page 427. Add "LED" suffix for FAA-PMA/STC wing tips optimized to accept LED nav/strobe lights.

**2** Also available as a FAA-PMA/STC approved split Fairing for easy install & removal; add "SP" suffix to the P/N

**3** FAA-PMA/STC approved split Fairing for easy installation and removal

**4** For kits including LH and RH, see page 427

**5** For wings with a conical wing tip

**6** For a wing with STOL leading edge radius

**57** S/N 18260826 thru 18267300 only

**58** S/N 18261426 thru 18264295 only

**59** S/N 18262466 and on

**60** S/N 18263476 thru 18265590 only

**61** S/N 18263476 and on

**63** S/N 18264296 and on

**64** S/N 18267301 and on

**65** S/N 18265176 and on

**66** Model 182S only

**67** Models 182T, T182T only

**Continued on next page**

### Cessna 180, 182, 185, 188 Series

continued from previous page

Exterior Plastic and Fiberglass

A182J,K,L,N, F182P,Q, FR182, R182, TR182		
S/N A182-0001 thru A182-0148		
F18200001 thru F18200169		
FR18200001 thru FR18200070		
R18200001 thru R18202041		
Description	Idx	Part Number
Cap, Rudder Top	K	GF0731606-04 <span style="float: right;">74 K</span> SA-0731606-9 <span style="float: right;">74 S</span>
Cap, Vertical Fin No Beacon Base	J	GF0731606-03 <span style="float: right;">72 K</span> SA-0731606-10 <span style="float: right;">71 S</span>
Cap, Vert. Fin Small Beacon Base	J	K1231064 <span style="float: right;">73 K</span>
Cap, Vert. Fin 2 1/4" Beacon Base	J	SA-1231064-1 <span style="float: right;">74 S</span>
Fairing, Brake Cover, LH	G	K0741641-19 <span style="float: right;">71 K</span> SA-0741641-15 <span style="float: right;">71 S</span>
Fairing, Brake Cover, RH	G	K0741641-18 <span style="float: right;">71 K</span> SA-0741641-14 <span style="float: right;">71 S</span>
Fairing Land. Gear Strut LH	F	SA-0741052-201 <span style="float: right;">71 S</span>
Fairing Land. Gear Strut RH	F	SA-0741052-200 <span style="float: right;">71 S</span>
Fairing, Main Wheel, LH (Wheel Pant)	B	GF0541223-01 <span style="float: right;">71 K</span> K0741046-203 <span style="float: right;">75 K</span> SA-0541223-17 <span style="float: right;">71 S</span>
Fairing, Main Wheel, RH (Wheel Pant)	B	GF0541223-02 <span style="float: right;">71 K</span> K0741046-202 <span style="float: right;">75 K</span> SA-0541223-16 <span style="float: right;">71 S</span>
Fairing, Nose Wheel	C	20-40N-80A <span style="float: right;">71 T</span> GF0543079-00 <span style="float: right;">71 K</span> K0743625-14 <span style="float: right;">75 K</span> SA-0543079-3 <span style="float: right;">71 S</span>
Fairing, Stinger (Tailcone)	N	K1212010-19 <span style="float: right;">K</span> SA-1212010-15 <span style="float: right;">74 S</span> 118-4-17 <span style="float: right;">77 A</span> 182-LFS <span style="float: right;">T</span>
Fairing, Strut To Fuslg, LH	E	K0723612-3 <span style="float: right;">74 T</span> SA-0720702-9 <span style="float: right;">77 S</span> SA-0723612-3 <span style="float: right;">71 S</span>
Fairing, Strut To Fuslg, RH	E	118-4-16 <span style="float: right;">77 A</span> 182-RFS <span style="float: right;">T</span> K0723612-4 <span style="float: right;">74 T</span> SA-0720702-10 <span style="float: right;">77 S</span> SA-0723612-4 <span style="float: right;">71 S</span>
Fairing, Strut To Wing, LH	D	118-4-9 <span style="float: right;">77 A</span> 180-LWS <span style="float: right;">T</span> K0723605-3 <span style="float: right;">74 T</span> SA-0720702-1 <span style="float: right;">77 S</span> SA-0723605-3 <span style="float: right;">74 2 S</span>
Fairing, Strut To Wing, RH	D	180-RWS <span style="float: right;">T</span> K0723605-4 <span style="float: right;">74 T</span> SA-0720702-2 <span style="float: right;">77 S</span> SA-0723605-4 <span style="float: right;">74 2 S</span>
Tip, Elevator, LH	M	GF1234608-01 <span style="float: right;">73 K</span> SA-1234608-3 <span style="float: right;">74 S</span>
Tip, Elevator, RH	M	GF1234608-02 <span style="float: right;">73 K</span> SA-1234608-4 <span style="float: right;">74 S</span>
Tip, Horiz. Stab., LH or RH	P	GF1232604-1 <span style="float: right;">69 K</span> GF1232604-2 <span style="float: right;">70 K</span>
Tip, Wing, LH	A	20-52L-80A <span style="float: right;">74 T</span> GF0723200-5 <span style="float: right;">77 K</span> SA-0723200-5 <span style="float: right;">74 4 1 S</span>
Tip, Wing, RH	A	20-52R-80A <span style="float: right;">74 T</span> GF0723200-6 <span style="float: right;">77 K</span> SA-0723200-6 <span style="float: right;">74 4 1 S</span>
Tip, Wing, Sym., LH or RH	A	K0723615-200 <span style="float: right;">68 K</span>
Wing Pos., Light Shield, LH	A	A 219-4-7 <span style="float: right;">77 6 A</span>
Wing Pos., Light Shield, RH	A	A 219-4-8 <span style="float: right;">77 6 A</span>

**Continued on next column**

185, 185A,B,C,D,E, A185E,F		
S/N 185-0001 thru 18504448		
Description	Idx	Part Number
Cap, Vertical Fin No Beacon Base	J	SA-0742025-1 <span style="float: right;">S</span>
Cap, Vert. Fin 2 1/4" Beacon Base	J	SA-0731019-2 <span style="float: right;">S</span>
Cap, Vert. Fin 3 1/2" Beacon Base	J	SA-0731015-1 <span style="float: right;">S</span>
Fairing, Brake Cover, LH	G	SA-0741059-1 <span style="float: right;">S</span>
Fairing, Brake Cover, RH	G	SA-0741059-2 <span style="float: right;">S</span>
Fairing, Main Wheel, LH (Wheel Pant)	B	SA-0741070-1 <span style="float: right;">83 S</span>
Fairing, Main Wheel, RH (Wheel Pant)	B	SA-0741070-2 <span style="float: right;">83 S</span>
Fairing, Stinger (Tailcone)	N	SA-0712400-9 <span style="float: right;">S</span>
Fairing, Strut To Fuslg, LH	E	180-LFS-T <span style="float: right;">80 T</span> SA-0723605-1 <span style="float: right;">76 S</span> SA-1227002-3SP <span style="float: right;">3 S</span>
Fairing, Strut To Fuslg, RH	E	180-RFS-T <span style="float: right;">80 T</span> SA-0723605-2 <span style="float: right;">76 S</span> SA-1227002-2SP <span style="float: right;">3 S</span>
Fairing, Strut To Wing, LH	D	180-LWS <span style="float: right;">T</span> SA-0723605-3 <span style="float: right;">76 S</span> SA-1227002-11SP <span style="float: right;">3 S</span>
Fairing, Strut To Wing, RH	D	180-RWS <span style="float: right;">T</span> SA-0723605-4 <span style="float: right;">76 S</span> SA-1227002-10SP <span style="float: right;">3 S</span>
Fairing, Tailwheel Strg Cbl LH	O	SA-0712309-9 <span style="float: right;">S</span>
Fairing, Tailwheel Strg Cbl RH	O	SA-0712309-10 <span style="float: right;">S</span>
Tip, Horiz. Stab., LH or RH	P	SA-0732613-3 <span style="float: right;">S</span>
Tip, Wing, LH	A	20-51L-80A <span style="float: right;">81 T</span> 20-52L-80A <span style="float: right;">83 T</span> GF0723200-5 <span style="float: right;">K</span> SA-0723200-5 <span style="float: right;">83 4 1 S</span>
Tip, Wing, RH	A	20-51R-80A <span style="float: right;">81 T</span> 20-52R-80A <span style="float: right;">83 T</span> GF0723200-6 <span style="float: right;">K</span> SA-0723200-6 <span style="float: right;">83 4 1 S</span>
Tip, Wing, Conical, LH	A	GF0523565-29791 <span style="float: right;">82 K</span> SA-0523565-29 <span style="float: right;">82 4 1 S</span>
Tip, Wing, Conical, RH	A	GF0523565-30791 <span style="float: right;">82 K</span> SA-0523565-30 <span style="float: right;">82 4 1 S</span>
Tip, Wing, Hoerner Style	A	11004 (set of two) <span style="float: right;">78 K</span>
Tip, Wing, Sym., LH or RH	A	K0723615-200 <span style="float: right;">78 K</span> SA-0723615-200 <span style="float: right;">78 S</span>
Wing Pos., Light Shield, LH	A	A 219-4-7 <span style="float: right;">83 6 A</span>
Wing Pos., Light Shield, RH	A	A 219-4-8 <span style="float: right;">83 6 A</span>

**Notes:**

- 1 Add "LL-14V or LL-28V" suffix for FAA-PMA/STC wing tips including Quasar LED landing/taxi lights and optimized to accept LED nav/strobe lights. Must purchase as a LH and RH kit. See page 427. Add "LED" suffix for FAA-PMA/STC wing tips optimized to accept LED nav/strobe lights.
- 2 Also available as a FAA-PMA/STC approved split Fairing for easy install & removal; add "SP" suffix to the P/N
- 3 FAA-PMA/STC approved split Fairing for easy install and removal
- 4 For kits including LH and RH, see page 427
- 5 For wings with a conical wing tip
- 6 For a wing with STOL leading edge radius
- 66 Model 182S only
- 67 Models 182T, T182T only
- 68 S/N A182-0001 thru A182-0116 only
- 69 S/N 18200001 thru 18201313 only
- 70 S/Ns 18201314 and on and FR18200046 thru FR18200070
- 71 Models F182P,Q only
- 72 Models F182P,Q, FR182 and R182 only
- 73 Models F182P,Q, FR182, R182 and TR182 only
- 74 Models F182P,Q, R182 and TR182 only
- 75 Models A182K,L,N only
- 76 S/N 185-0001 thru 185-0237 only
- 77 S/N 185-0001 thru 185-0967 only
- 78 S/N 185-0001 thru 185-1149 only
- 79 S/N 185-0001 thru 185-1599 only
- 80 S/N 185-0001 thru 18502310 only

**Continued on next page**

## Exterior Plastic and Fiberglass Cessna



### Cessna 180, 182, 185, 188 Series continued from previous page

188, 188A,B, A188, A188A,B, T188C S/N 188-0001 thru 18803973			
Description	Idx	Part Number	
Cover, Fuel Strainer	Q	SA-1616036-1	84 S
Fairing, Gear Leg, LH	F	SA-1621410-7	85 S
		SA-1613420-11	87 S
		SA-1613220-23	86 S
Fairing, Gear Leg, RH	F	SA-1621410-8	85 S
		SA-1613420-12	87 S
		SA-1613220-24	86 S
Fairing, Stinger (Tailcone)	N	SA-0712400-9	S
Fairing, Strut Upper, LH	E	SA-1613220-11	87 S
		SA-1620024-1	87 S
Fairing, Strut Upper, RH	E	SA-1613220-12	87 S
		SA-1620024-2	87 S
Fairing, TE Wing Root, LH	R	SA-1600011-1	84 S

**Continued on next column**

Continued from previous column			
Fairing, TE Wing Root, RH	R	SA-1600011-2	84 S
Tip, Wing, LH	A	20-52L-80A	T
		SA-0723200-5	41 S
Tip, Wing, RH	A	20-52R-80A	T
		SA-0723200-6	41 S

**Notes:**

**1** Add "LL-14V or LL-28V" suffix for FAA-PMA/STC wing tips including Quasar LED landing/taxi lights and optimized to accept LED nav/strobe lights. Must purchase as a LH and RH kit. See below. Add "LED" suffix for FAA-PMA/STC wing tips optimized to accept LED nav/strobe lights.

**4** For kits including LH and RH, see below

**84** Model T188C not eligible

**85** Models 188B and A188B only

**86** Models 188A,B and A188A,B only

**87** Models 188, 188A, A188, A188A only

**Kits available for 180, 182, 185 and 188 aircraft**

Kit P/N	Kit Description	Part Number	Item Description
20-51-80A	Conical Wing Tip Kit	20-51L-80A	Tip, Wing, LH
		20-51R-80A	Tip, Wing, RH
20-52-80A	Conical Wing Tip Kit	20-52L-80A	Tip, Wing, LH
		20-52R-80A	Tip, Wing, RH
30-04-80A	Wing Strut Fairing Kit	180-LFS-T	Fairing, Strut To Fuselage, LH
		180-RFS-T	Fairing, Strut To Fuselage, RH
		180-LWS	Fairing, Strut to Wing, LH
		180-RWS	Fairing, Strut to Wing, RH
31-01-80A	Wing Strut Fairing Kit	182-LFS	Fairing, Strut To Fuselage, LH
		182-RFS	Fairing, Strut To Fuselage, RH
		180-LWS	Fairing, Strut to Wing, LH
		180-RWS	Fairing, Strut to Wing, RH
31-03-80A	Landing Gear Fairing Kit	31-03-LGF	Fairing, Land. Gear Strut, LH
		31-03-RGF	Fairing, Land. Gear Strut, RH
31-07-80A	Brake Cover Fairing Kit	31-07-LBC	Fairing, Brake Cover, LH
		31-07-RBC	Fairing, Brake Cover, RH
31-08-80A	Brake Cover Fairing Kit	31-08-LBC	Fairing, Brake Cover, LH
		31-08-RBC	Fairing, Brake Cover, RH
KPS01	Split Strut Fairing Kit, Plastic	K0723612-3	Fairing, Strut to Fuselage, LH
		K0723612-4	Fairing, Strut to Fuselage, RH
		K0723605-3	Fairing, Strut to Wing, LH
		K0723605-4	Fairing, Strut to Wing, RH
KPS02	Split Strut Fairing Kit, Plastic	K0723605-1	Fairing, Strut to Fuselage, LH
		K0723605-2	Fairing, Strut to Fuselage, RH
		K0723605-3	Fairing, Strut to Wing, LH
		K0723605-4	Fairing, Strut to Wing, RH
SA-0523565-2930	Wing Tips <sup>1 2</sup>	SA-0523565-29	Tip, Wing, Conical, LH
		SA-0523565-30	Tip, Wing, Conical, RH
SA-0720702-1234	Strut Fairing Kit	SA-0720702-9	Fairing, Strut to Fuselage, LH
		SA-0720702-10	Fairing, Strut to Fuselage, RH
		SA-0720702-1	Fairing, Strut to Wing, LH
		SA-0720702-2	Fairing, Strut to Wing, RH
SA-0723200-56	Wing Tips <sup>1 2</sup>	SA-0723200-5	Tip, Wing, Conical, LH
		SA-0723200-6	Tip, Wing, Conical, RH
SA-0723605-1234	Strut Fairing Kit, Fiberglass For FAA-PMA/STC split Fairings add an "SP" suffix to the kit P/N	SA-0723605-1	Fairing, Strut to Fuselage, LH
		SA-0723605-2	Fairing, Strut to Fuselage, RH
		SA-0723605-3	Fairing, Strut to Wing, LH
		SA-0723605-4	Fairing, Strut to Wing, RH
SA-0723612-3434	Strut Fairing Kit, Fiberglass For FAA-PMA/STC split Fairings add an "SP" suffix to the kit P/N	SA-0723612-3	Fairing, Strut to Fuselage, LH
		SA-0723612-4	Fairing, Strut to Fuselage, RH
		SA-0723605-3	Fairing, Strut to Wing, LH
		SA-0723605-4	Fairing, Strut to Wing, RH
SA-1227002-1145SP	Split Strut Fairing Kit, Fiberglass	SA-1227002-3SP	Fairing, Strut to Fuselage, LH
		SA-1227002-2SP	Fairing, Strut to Fuselage, RH
		SA-1227002-11SP	Fairing, Strut to Wing, LH
		SA-1227002-10SP	Fairing, Strut to Wing, RH

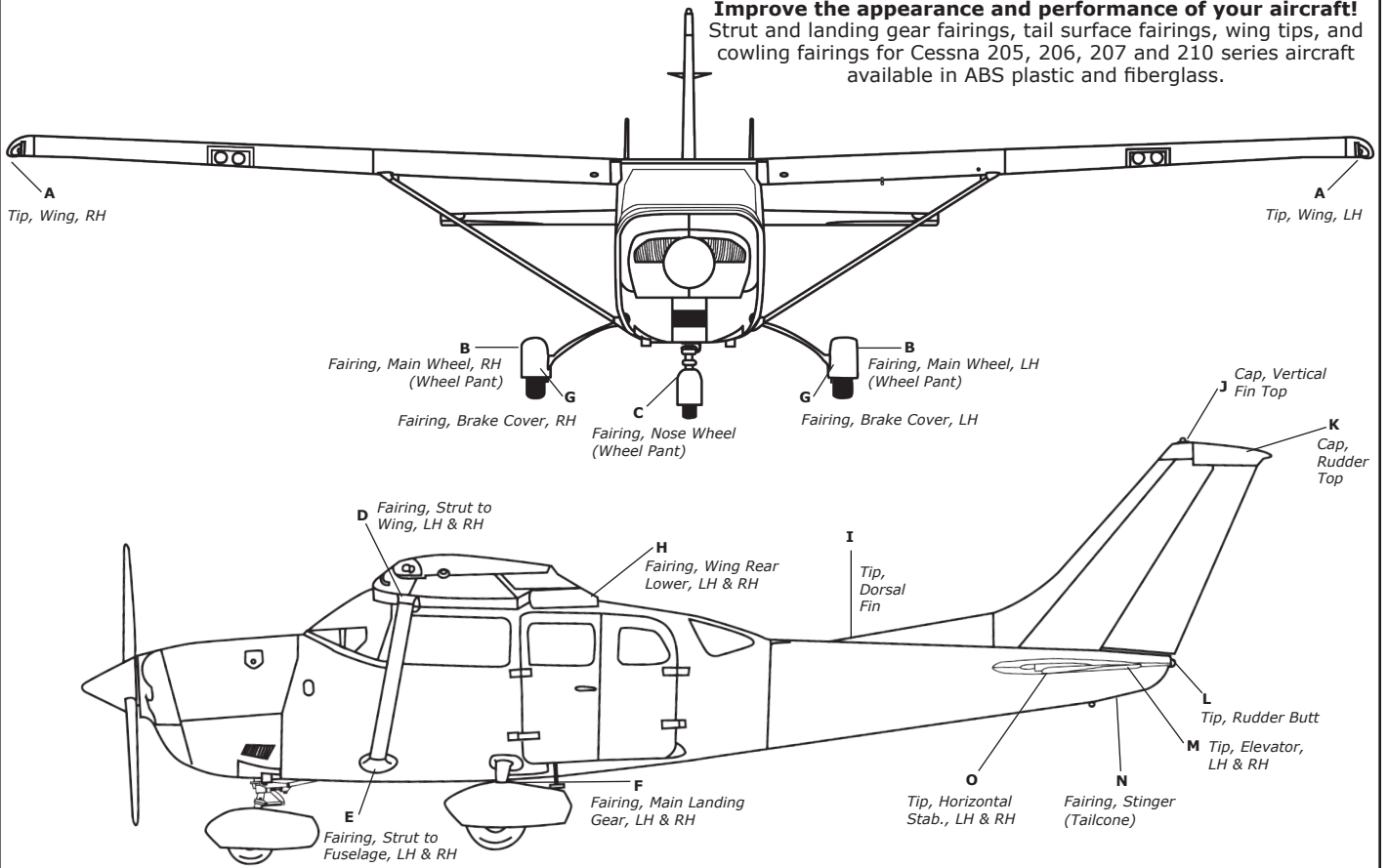
**1** Add "LL-14V (14 Volt Installation) or LL-28V (28 Volt Installation)" suffix for FAA-PMA/STC wing tips including Quasar LED landing/taxi lights and optimized to accept LED nav/strobe lights. Installation kit including all hardware required for installation of Quasar LED lighted wing tips is included. Kits include shielded wire, all connectors, switches and breaker.

**2** Add "LED" suffix for FAA-PMA/STC wing tips optimized to accept LED nav/strobe lights.

**Cessna 205, 206, 207, and 210 Series**

**Improve the appearance and performance of your aircraft!**  
Strut and landing gear fairings, tail surface fairings, wing tips, and cowling fairings for Cessna 205, 206, 207 and 210 series aircraft available in ABS plastic and fiberglass.

Exterior Plastic and Fiberglass



**210-5(205), 210-5A(205A)**  
S/N 205-0001 thru 205-0577

Description	Idx	Part Number
Cap, Rudder Top	K	GF0731606-04 SA-0731606-10 SA-1231001-2
Cap, Vertical Fin	J	GF0731606-03
Fairing, Stinger (Tailcone)	N	SA-1212010-14
Fairing, Strut To Fuslg, LH	E	SA-1227401-5
Fairing, Strut To Fuslg, RH	E	SA-1227401-4
Fairing, Strut To Wing, LH	D	SA-1227002-11
Fairing, Strut To Wing, RH	D	SA-1227002-10
Tip, Horiz. Stab., LH or RH	O	SA-0732613-1
Tip, Wing, LH	A	SA-1223000-7
Tip, Wing, RH	A	SA-1223000-8
Wing Pos., Light Shield, RH	A	219-4-6

**1** Also available as a FAA-PMA/STC approved split Fairing for easy installation and removal; add an "SP" suffix to the P/N.  
**2** For wings with a conical wing tip

**206, TU206A,B,C,D, U206, U206A,B,C,D**  
S/N 206-0001 thru 206-0275,  
U206-0276 thru U206-1444

Description	Idx	Part Number
Cap, Rudder Top	K	GF0731606-04 GF0731606-01 SA-0731606-6 SA-1231001-2 SA-1233736-1
Cap, Vertical Fin No Beacon Base	J	K0731606-1
Cap, Vertical Fin Small Beacon Base	J	K0731606-3
Cap, Vertical Fin 2 1/4" Beacon Base	J	SA-0731606-3
Fairing, Main Wheel, LH (Wheel Pant)	B	K0741046-203
Fairing, Main Wheel, RH (Wheel Pant)	B	K0741046-202

**Eligibility continues in next column**

**Continued from previous column**

Description	Idx	Part Number
Fairing, Nose Wheel	C	K0743625-14
Fairing, Strut To Fuslg, LH	E	SA-1227402-3
Fairing, Strut To Fuslg, RH	E	SA-1227402-4
Fairing, Strut To Wing, LH	D	SA-1227002-11
Fairing, Strut To Wing, RH	D	SA-1227002-10
Fairing, Stinger (Tailcone)	N	GF1212010-00 SA-1212010-14
Tip, Elevator, LH	M	GF1234608-01 K1234640-1 SA-1234608-3 SA-1234640-1
Tip, Elevator, RH	M	GF1234608-02 K1234640-2 SA-1234608-4 SA-1234640-2
Tip, Horiz. Stab., LH or RH	O	GF1232604-1 SA-1232604-1 SA-1232012-1 SA-1232616-1
Tip, Wing, LH	A	SA-1223000-7
Tip, Wing, RH	A	SA-1223000-8

**1** Models 206, U206 only  
**2** Models 206, U206, U206A,B only  
**3** Models 206, U206, U206A,B,C,D only  
**4** Models 206, TU206B, U206, U206A, only  
**5** Models TU206A,B, U206A,B only  
**6** Models TU206B,C,D, U206B,C,D only  
**7** Models U206C,D, U206C,D only  
**8** Models U206B,C,D only  
**9** Models U206C only  
**10** S/N U206-0657 thru U206-1389 only  
**11** S/N U206-1161 thru U206-1444 only  
**12** Also available as a FAA-PMA/STC approved split Fairing for easy installation and removal; add an "SP" suffix to the P/N.  
**13** For aircraft with factory float kit option only  
**14** For wings with a conical wing tip

**Eligibility continues in next column**

**Continued from previous column**

Description	Idx	Part Number
Wing Pos., Light Shield, RH	A	219-4-6
<b>P206, P206A,B,C,D,E, TP206A,B,C,D,E</b> S/N P206-0002 thru P206-0647		
Cap, Rudder Top	K	GF0731606-04 GF0731606-01 SA-0731606-6 SA-1231001-2
Cap, Vertical Fin No Beacon Base	J	K0731606-1
Cap, Vertical Fin Small Beacon Base	J	K0731606-3
Cap, Vertical Fin 2 1/4" Beacon Base	J	SA-0731606-3
Fairing, Main Wheel, LH (Wheel Pant)	B	K0741046-203
Fairing, Main Wheel, RH (Wheel Pant)	B	K0741046-202
Fairing, Nose Wheel	C	K0743625-14
Fairing, Strut To Fuslg, LH	E	SA-1227402-3
Fairing, Strut To Fuslg, RH	E	SA-1227402-4
Fairing, Strut To Wing, LH	D	SA-1227002-11
Fairing, Strut To Wing, RH	D	SA-1227002-10
Fairing, Stinger (Tailcone)	N	GF1212010-00 SA-1212010-14
Tip, Elevator, LH	M	GF1234608-01 K1234640-1 SA-1234608-3 SA-1234640-1
Tip, Elevator, RH	M	GF1234608-02 K1234640-2 SA-1234608-4 SA-1234640-2
Tip, Horiz. Stab., LH or RH	O	GF1232604-1 SA-1232604-1 SA-1232012-1 SA-1232616-1

**Eligibility continues on next page**

**Cessna 205, 206, 207, and 210 Series**

Exterior Plastic and Fiberglass

*Continued from previous page*

Description	Idx	Part Number
Tip, Wing, LH	A	20-51L-80A <b>8 T</b> SA-1223000-7 <b>2 T</b>
Tip, Wing, RH	A	20-51R-80A <b>8 T</b> SA-1223000-8 <b>5</b>
Wing Pos., Light Shield, RH	A	219-4-6 <b>10 A</b>

- 1** Models P206, P206A only
- 2** Models P206, P206A,B only
- 3** Models P206A,B, TP206A,B only
- 4** Models P206B,C,D only
- 5** Models P206B,C,D,E only
- 6** Models P206C,D only
- 7** Models P206C,D,E, TP206C,D,E only
- 8** Models P206D,E, TP206D,E only
- 9** Also available as a FAA-PMA/STC approved split Fairing for easy installation and removal; add an "SP" suffix to the P/N.
- 10** For wings with a conical wing tip

**TU206E,F,G, U206E,F,G**  
S/N U20601445 thru U20607020

Description	Idx	Part Number
Cap, Rudder Top	K	GF0731606-04 <b>5 K</b>
		GF0731606-01 <b>9 R</b>
		SA-0731606-6 <b>8 S</b>
		SA-0731606-9 <b>17 S</b>
		SA-1233736-1 <b>19 S</b>
Cap, Vertical Fin No Beacon Base	J	K0731606-1 <b>9 K</b>
Cap, Vertical Fin Small Beacon Base	J	K0731606-3 <b>9 K</b> K1231064 <b>17 R</b>
Cap, Vertical Fin 2 1/4" Beacon Base	J	SA-0731606-3 <b>8 S</b> SA-1231064-1 <b>17 S</b>
Cap, Vertical Fin 2 1/2" Beacon Base	J	SA-1231059-1 <b>13 S</b>
Fairing, Brake, LH	G	SA-1241113-1 <b>6 S</b> SA-1241232-1 <b>6 S</b>
Fairing, Brake, RH	G	SA-1241113-2 <b>6 S</b> SA-1241232-2 <b>6 S</b>
Fairing, Main Gear, LH	B	GF0541223-01 <b>16 K</b>
		SA-0541203-1 <b>10 S</b>
		SA-0541223-17 <b>16 S</b>
		SA-1241229-1 <b>3 S</b>
Fairing, Main Gear, RH	B	GF0541223-02 <b>16 K</b>
		SA-0541203-2 <b>10 S</b>
		SA-0541223-16 <b>16 S</b>
		SA-1241229-2 <b>3 S</b>
Fairing, Main Wheel, LH (Wheel Pant)	B	K0741046-203 <b>7 K</b>
Fairing, Main Wheel, RH (Wheel Pant)	B	K0741046-202 <b>7 K</b>
Fairing, Nose Wheel	C	20-40N-80A <b>12 T</b>
		GF0543079-00 <b>16 K</b>
		SA-0543065-1 <b>10 S</b>
		SA-0543079-3 <b>16 S</b>
		SA-1234045-1 <b>3 S</b>
Fairing, Strut To Fuslg, LH	E	SA-1227010-1 <b>3 S</b> SA-1227402-3 <b>1 18 S</b>
Fairing, Strut To Fuslg, RH	E	SA-1227010-2 <b>3 S</b> SA-1227402-4 <b>1 18 S</b>
Fairing, Strut To Wing, LH	D	SA-1227002-11 <b>1 18 S</b> SA-1227005-5 <b>13 S</b>
Fairing, Strut To Wing, RH	D	SA-1227002-10 <b>1 18 S</b> SA-1227005-6 <b>13 S</b>
Fairing, Stinger (Tailcone)	N	GF1212010-00 <b>K</b> SA-1212010-14 <b>5</b>
Tip, Elevator, LH	M	K1234640-1 <b>K</b> SA-1234640-1 <b>9 S</b>
Tip, Elevator, RH	M	K1234640-2 <b>K</b> SA-1234640-2 <b>9 S</b>
Tip, Horiz. Stab., LH or RH	O	GF1232012-1 <b>3 K</b> SA-1232012-1 <b>5</b>
Tip, Wing, LH	A	20-51L-80A <b>4 T</b>
		20-52L-80A <b>2 T</b>
		GF0723200-5 <b>3 K</b>
		SA-0723200-5 <b>3 12 23 S</b>

*Eligibility continues in next column*

*Continued from previous column*

Description	Idx	Part Number
Tip, Wing, RH	A	20-51R-80A <b>4 T</b>
		20-52R-80A <b>2 T</b>
		GF0723200-6 <b>3 K</b>
		SA-0723200-6 <b>3 12 23 S</b>
Tip, Wing, Conical, LH	A	GF0523565-29791 <b>11 K</b> SA-0523565-29 <b>11 22 23 S</b>
Tip, Wing, Conical, RH	A	GF0523565-30791 <b>11 K</b> SA-0523565-30 <b>11 22 23 S</b>
Wing Pos., Light Shield, LH	A	219-4-7 <b>3 21 A</b>
Wing Pos., Light Shield, RH	A	219-4-6 <b>4 20 A</b> 219-4-8 <b>3 21 A</b>

- 1** Models TU206E,U206E only
- 2** Models TU206F, U206F only
- 3** Models TU206F,G, U206F,G only
- 4** Model U206E only
- 5** Models U206E,F,G only
- 6** Model U206G only
- 7** S/N U20601445 thru U20601587 only
- 8** S/N U20601445 thru U20601905 only
- 9** S/N U20601445 thru U20603020 only
- 10** S/N U20601588 thru U20602199 only
- 11** S/N U20601605 thru U20601700 only
- 12** S/N U20601701 thru U20603521 only
- 13** S/N U20601906 thru U20603020 only
- 14** S/N U20602200 and On
- 15** S/N U20602576 and On
- 16** S/N U20602580 and On
- 17** S/N U20603021 and On

**10** Also available as a FAA-PMA/STC approved split Fairing for easy installation and removal; add an "SP" suffix to the P/N.

- 19** For aircraft with factory float kit option only
- 20** For wings with a conical wing tip
- 21** For a wing with STOL leading edge radius
- 22** For kits including LH and RH, see page 431.
- 23** Add "LL-14V or LL-28V" suffix for FAA-PMA/STC wing tips including Quasar LED landing/taxi lights and optimized to accept LED nav/strobe lights. Must purchase as a LH and RH kit. See page 431.
- 24** Add "LED" suffix for FAA-PMA/STC wing tips optimized to accept LED nav/strobe lights.

**206H, T206H**  
S/N 20608001 thru 20699999, T20608001 thru T20699999

Description	Idx	Part Number
Cap, Rudder Top	K	SA-0731606-9 <b>5</b>
Cap, Vertical Fin 2 1/4" Beacon Base	J	SA-0731606-11 <b>5</b>
Cap, Vertical Fin 2 1/2" Beacon Base	J	K1231064 <b>K</b>
Fairing, Main Gear, LH	B	GF0541223-01 <b>2 K</b>
		SA-0541223-17 <b>5</b>
		SA-1241229-1 <b>5</b>
Fairing, Main Gear, RH	B	GF0541223-02 <b>2 K</b>
		SA-0541223-16 <b>5</b>
		SA-1241229-2 <b>5</b>
Fairing, Nose Wheel	C	SA-0543079-3 <b>5</b> SA-1243045-12 <b>6 S</b>
Fairing, Strut To Fuslg, LH	E	SA-1227010-1 <b>5</b>
Fairing, Strut To Fuslg, RH	E	SA-1227010-2 <b>5</b>
Fairing, Strut To Wing, LH	D	SA-1227005-5 <b>5</b>
Fairing, Strut To Wing, RH	D	SA-1227005-6 <b>5</b>
Fairing, Stinger (Tailcone)	N	GF1212010-00 <b>K</b> SA-1234640-1 <b>K</b> SA-1234640-3 <b>5</b>
Tip, Elevator, LH	M	K1234640-2 <b>K</b> SA-1234640-3 <b>5</b>
Tip, Elevator, RH	M	K1234640-2 <b>K</b> SA-1234640-4 <b>5</b>
Tip, Horiz. Stab., LH or RH	O	SA-1232012-1 <b>5</b>
Tip, Wing, LH	A	GF0723200-5 <b>K</b> SA-0723200-5 <b>1 3 S</b> SA-0723205-1 <b>5</b>
Tip, Wing, RH	A	GF0723200-6 <b>K</b> SA-0723200-6 <b>1 3 S</b> SA-0723205-2 <b>5</b>
Wing Pos., Light Shield, LH	A	219-4-7 <b>4 A</b>
Wing Pos., Light Shield, RH	A	219-4-8 <b>4 A</b>

- 1** S/N 206-08001 thru 20608361 and T20608001 thru T20608361 only
- 2** Model T206H only
- 3** For kits including LH and RH see page 431.
- 4** For a wing with STOL leading edge radius
- 5** Add "LL-14V or LL-28V" suffix for FAA-PMA/STC wing tips including Quasar LED landing/taxi lights and optimized to accept LED nav/strobe lights. Must purchase as a LH and RH kit. See page 431. Add "LED" suffix for FAA-PMA/STC wing tips optimized to accept LED nav/strobe lights.
- 6** Heavy Duty

*Eligibility continues on next column*

*Continued from previous column*

**207, 207A, T207, T207A**  
S/N 20700001 thru 20700788

Description	Idx	Part Number
Cap, Rudder Top	K	GF0731606-04 <b>8 K</b>
		GF0731606-01 <b>4 K</b>
		SA-0731606-6 <b>4 S</b>
		SA-0731606-9 <b>8 S</b>
Cap, Vertical Fin No Beacon Base	J	K0731606-1 <b>4 K</b>
Cap, Vertical Fin Small Beacon Base	J	K0731606-3 <b>4 K</b> K1231064 <b>8 K</b>
Cap, Vertical Fin 2 1/4" Beacon Base	J	SA-0731606-3 <b>2 S</b> SA-1231064-1 <b>8 S</b>
Cap, Vertical Fin 2 1/2" Beacon Base	J	SA-1231059-1 <b>6 S</b>
Fairing, Brake, LH	G	SA-1241228-1 <b>8 S</b>
Fairing, Brake, RH	G	SA-1241228-2 <b>8 S</b>
Fairing, Gear Leg, LH	F	SA-1241217-1 <b>5</b>
Fairing, Gear Leg, RH	F	SA-1241217-2 <b>5</b>
Fairing, Main Gear, LH	B	GF0541223-01 <b>8 K</b>
Fairing, Main Gear, RH	B	GF0541223-02 <b>8 K</b> GF0543079-00 <b>8 K</b>
Fairing, Nose Wheel	C	K0743625-14 <b>5 K</b> SA-0543079-3 <b>5 S</b>
Fairing, Stinger (Tailcone)	N	GF1212010-00 <b>K</b> SA-1212010-14 <b>5</b>
Fairing, Strut To Fuslg, LH	E	SA-1227010-1 <b>5</b>
Fairing, Strut To Fuslg, RH	E	SA-1227010-2 <b>5</b>
Fairing, Strut To Wing, LH	D	SA-1227011-5 <b>5</b>
Fairing, Strut To Wing, RH	D	SA-1227011-6 <b>5</b>
Tip, Elevator, LH	M	K1234640-1 <b>K</b> SA-1234640-1 <b>9 S</b>
Tip, Elevator, RH	M	K1234640-2 <b>K</b> SA-1234640-2 <b>9 S</b>
Tip, Horiz. Stab., LH or RH	O	GF1232012-1 <b>K</b> SA-1232012-1 <b>9 S</b>
Tip, Wing, LH	A	20-51L-80A <b>5 T</b>
		SA-1223000-7 <b>1 S</b>
		SA-0523565-29 <b>7 11 12 S</b>
Tip, Wing, RH	A	20-51R-80A <b>5 T</b>
		SA-1223000-8 <b>1 S</b>
		SA-0523565-30 <b>7 11 12 S</b>
Tip, Wing, Conical, LH	A	GF0523565-29791 <b>7 K</b>
Tip, Wing, Conical, RH	A	GF0523565-30791 <b>7 K</b>
Wing Pos., Light Shield, RH	A	219-4-6 <b>11 7 A</b>

**210, 210A, B, C, D, E, F**  
S/N 57001 thru 21058818

Description	Idx	Part Number
Cap, Rudder Top	K	GF0731606-04 <b>K</b> SA-1231001-2 <b>5</b>
Cap, Vertical Fin	J	GF0731606-03 <b>K</b> 34-01-01-LFS <b>1 T</b> 34-01-23-LFS <b>4 T</b> SA-1227002-3 <b>1 S</b> SA-1227401-3 <b>4 S</b> SA-1227402-1 <b>5 S</b> SA-1227402-3 <b>7 S</b>
Fairing, Strut To Fuslg, LH	E	34-01-01-RFS <b>1 T</b> 34-01-23-RFS <b>4 T</b> SA-1227002-2 <b>1 S</b> SA-1227401-2 <b>4 S</b> SA-1227402-2 <b>5 S</b> SA-1227402-4 <b>7 S</b>

*Eligibility continues in next page*

**Cessna 205, 206, 207, and 210 Series**

Exterior Plastic and Fiberglass

*Continued from previous page*

Fairing, Strut To Wing, LH	D	34-01-05-LWS SA-1227002-11 SA-1227002-5	3 T 6 S 2 S
Fairing, Strut To Wing, RH	D	34-01-05-RWS SA-1227002-10 SA-1227002-4	3 T 6 S 2 S
Fairing, Stinger (Tailcone)	N	SA-1212010-14	5 S
Tip, Elevator, LH	M	GF1234608-01 SA-1234608-3	1 K 6 S
Tip, Elevator, RH	M	GF1234608-02 SA-1234608-4	1 K 6 S
Tip, Horiz. Stab., LH or RH	O	SA-0732613-1 GF1232604-1 SA-1232604-1	2 S 6 K 6 S
Tip, Wing, Hoerner Style	A	11004 (set of two)	1 K
Tip, Wing, LH	A	SA-1223000-7	2 S
Tip, Wing, RH	A	SA-1223000-8	2 S

1 Models 210, 210A only  
2 Models 210, 210A,B,C only  
3 Models 210, 210A,B,C,D,E only  
4 Models 210B,C only  
5 Models 210D,E only  
6 Models 210D,E,F only  
7 Model 210F only

**T210F,G,H,J,K,L,M,N,R**  
S/N 21058819 thru 21065009

Description	Idx	Part Number	
Cap, Rudder Top	K	GF0731606-04 GF0731606-01 SA-0731606-6 SA-0731606-9	9 K 1 K 5 S 9 S
Cap, Vertical Fin No Beacon Base	J	GF0731606-03 K0731606-1 SA-0731606-1 SA-0731606-10	11 K 1 K 5 S 10 S
Cap, Vertical Fin Small Beacon Base	J	K0731606-3 K1231064	1 K 11 K
Cap, Vertical Fin 2 1/4" Beacon Base	J	SA-0731606-3 SA-1231064-1	4 S 10 S
Cap, Vertical Fin 2 1/2" Beacon Base	J	SA-1231059-1	8 S

*Eligibility continues in next column*

*Continued from previous column*

Fairing, Stinger (Tailcone)	N	GF1212010-00 SA-1212010-14	7 K 5 S
Tip, Elevator, LH	M	K1234640-1 SA-1234640-1	1 K 2 S
Tip, Elevator, RH	M	K1234640-2 SA-1234640-2	1 K 2 S
Tip, Horiz. Stab., LH or RH	O	SA-1232012-1 GF1232012-1	2 S 3 K
Tip, Wing, LH	A	SA-1221111-203	6 S
Tip, Wing, RH	A	SA-1221111-202	6 S

1 S/N 21058819 thru 21061573 only  
2 S/N 21058819 thru 21064897 only  
3 S/N 21059038 thru 21064897 only  
4 S/N 21059200 thru 21059719 only  
5 S/N 21059200 thru 21061039 only  
6 S/N 21059200 thru 21064897 only  
7 S/N 21059200 and On  
8 S/N 21059503 thru 21061573 only  
9 S/N 21059503 and On  
10 S/N 21061040 thru 21064135 only  
11 S/N 21061040 and On

**P210N,R**  
S/N P21000001 thru P21000874

Description	Idx	Part Number	
Cap, Rudder Top	K	GF0731606-04	1 K
Cap, Vertical Fin No Beacon Base	J	GF0731606-03	1 K
Cap, Vertical Fin Small Beacon Base	J	K1231064	1 K
Fairing, Stinger (Tailcone)	N	GF1212010-00 SA-1212010-14	1 K 5 S
Tip, Elevator, LH	M	K1234640-1 SA-1234640-1	1 K 1 S
Tip, Elevator, RH	M	K1234640-2 SA-1234640-2	1 K 1 S
Tip, Wing, LH	A	SA-1221111-203	1 S
Tip, Wing, RH	A	SA-1221111-202	1 S

1 Model P210N only

*Eligibility continues in next column*

*Continued from previous column*

**T210F,G,H,J,K,L,M,N,R**  
S/N T210-0001 thru T210-0454

Description	Idx	Part Number	
Cap, Rudder Top	K	GF0731606-04 GF0731606-01 SA-1231001-2	9 K 2 K 1 S
Cap, Vertical Fin No Beacon Base	J	GF0731606-03 K0731606-1	1 K 2 K
Cap, Vertical Fin Small Beacon Base	J	K0731606-3 K1231064	2 K 1 K
Cap, Vertical Fin 2 1/2" Beacon Base	J	SA-1231059-1	10 S
Fairing, Stinger (Tailcone)	N	GF1212010-00 SA-1212010-14	8 K 5 S
Tip, Elevator, LH	M	GF1234608-01 K1234640-1 SA-1234608-3 SA-1234640-1	1 K 4 K 1 S 3 S
Tip, Elevator, RH	M	GF1234608-02 K1234640-2 SA-1234608-4 SA-1234640-2	1 K 4 K 1 S 3 S
Tip, Horiz. Stab., LH or RH	O	SA-1232012-1 GF1232604-1 SA-1232604-1	5 K 1 K 1 S
Tip, Wing, LH	A	SA-1221111-203	7 S
Tip, Wing, RH	A	SA-1221111-202	7 S

1 Models T210F only  
2 Models T210G,H,J,K,L only  
3 Models T210G,H,J,K,L,M,N only  
4 Models T210G,H,J,K,L,M,N,R only  
5 S/N T210-0382 thru T210-0454 only  
6 Models T210H,J,K,L,M,N only  
7 Models T210K,L,M,N only  
8 Models T210K,L,M,N,R only  
9 Models T210L,M,N,R only  
10 Model T210L only

Manufacturer/Material: **A** Aircraft Development/Fiberglass, **K** Knots 2U/Fiberglass, **S** Stene Aviation/Fiberglass, **T** Texas Aeroplastics/ABS Plastic Parts

**Cessna 310, 336, and 337 Series**



**310, 310P**

Description	Part Number
Cap, Nose, Left	GF0851119-1
Cap, Nose, Right	GF0851119-2
Fairing, Stinger (Tailcone)	GF0831372-1
Tip, Stabilizer, Left or Right	GF0832115-1

1 Model 310P S/N 310P0001 thru 310P0094 only  
2 Model 310 only

**336, 337, 337A,B,C,D,E,F,G,H, F337E,F,G,H, FT337E,F, P337H, T337G**

Description	Part Number
Fairing, Strut To Fuslg, LH	33-06-LFS SA-1412251-3 SA-1521002-1
Fairing, Strut To Fuslg, RH	33-06-RFS SA-1412251-4 SA-1521002-2
Fairing, Strut To Wing, LH	33-06-LWS SA-1421001-5 SA-1521002-3
Fairing, Strut To Wing, RH	33-06-RWS SA-1421001-6 SA-1521002-4
Tip, Rudder	GF1431001-8 SA-1431001-8
Tip Vertical Fin, Lower	GF1431001-11 SA-1431001-11
Tip, Vertical Fin, Upper	GF1531003-9 SA-1531003-9
Tip, Vertical Fin, Upper LH	GF1431001-10
Tip, Wing, LH	SA-1520008-23
Tip, Wing, RH	SA-1520008-24

1 337, 337A,B,C,D,E,F only  
2 336, 337, 337A,B,C,D,F,G,H, F337E,F,G,H, FT337E,F,P337H,T337G only  
3 337G,H, F337G, P337H,T337G only  
4 336, 337, F337E,F,G,H, FT337E,F, P337H, T337G only  
5 337E,F, T337E,F only  
6 337G,H, T337H only

Manufacturer/Material: **A** Aircraft Development/Fiberglass, **K** Knots 2U/Fiberglass, **S** Stene Aviation/Fiberglass, **T** Texas Aeroplastics/ABS Plastic Parts



Cessna 205, 206, 207, 210, 340, 401 and 402 Series



340, 401, 401A,B, 402, 402A,B,C	
Description	Part Number
Tip, Stabilizer, Left or Right	GF0832115-1

Kits available for 205, 206, 207 and 210 aircraft			
Kit P/N	Kit Description	Part Number	Item Description
20-51-80A	Conical Wing Tip Kit	20-51L-80A	Tip, Wing, LH
		20-51R-80A	Tip, Wing, RH
20-52-80A	Conical Wing Tip Kit	20-52L-80A	Tip, Wing, LH
		20-52R-80A	Tip, Wing, RH
SA-0523565-2930	Wing Tips	SA-0523565-29	Tip, Wing, Conical, LH
		SA-0523565-30	Tip, Wing, Conical, RH
SA-0723200-56	Wing Tips	SA-0723200-5	Tip, Wing, LH
		SA-0723200-6	Tip, Wing, RH
SA-1227010-1256	Strut Fairing Kit, Fiberglass	SA-1227010-1	Fairing, Strut to Fuselage, LH
		SA-1227010-2	Fairing, Strut to Fuselage, RH
		SA-1227005-5	Fairing, Strut to Wing, LH
		SA-1227005-6	Fairing, Strut to Wing, RH
SA-1227010-5612	Strut Fairing Kit, Fiberglass	SA-1227010-1	Fairing, Strut to Fuselage, LH
		SA-1227010-2	Fairing, Strut to Fuselage, RH
		SA-1227011-5	Fairing, Strut to Wing, LH
		SA-1227011-6	Fairing, Strut to Wing, RH
SA-1227401-2345	Strut Fairing Kit, Fiberglass For FAA-PMA/STC split Fairings add an "SP" suffix to the kit P/N.	SA-1227401-5	Fairing, Strut to Fuselage, LH
		SA-1227401-4	Fairing, Strut to Fuselage, RH
		SA-1227002-11	Fairing, Strut to Wing, LH
		SA-1227002-10	Fairing, Strut to Wing, RH
SA-1227402-3456	Strut Fairing Kit, Fiberglass For FAA-PMA/STC split Fairings add an "SP" suffix to the kit P/N.	SA-1227402-3	Fairing, Strut to Fuselage, LH
		SA-1227402-4	Fairing, Strut to Fuselage, RH
		SA-1227002-11	Fairing, Strut to Wing, LH
		SA-1227002-10	Fairing, Strut to Wing, RH

Add "LL-14V (14 Volt Installation) or LL-28V (28 Volt Installation)" suffix for FAA-PMA/STC wing tips including Quasar LED landing/taxi lights and optimized to accept LED nav/strobe lights. Installation kit including all hardware required for installation of Quasar LED lighted wing tips is included. Kits include shielded wire, all connectors, switches and breaker.

Add "LED" suffix for FAA-PMA/STC wing tips optimized to accept LED nav/strobe lights.

Exterior Plastic and Fiberglass

Commander 112/114 Series

**Vertical Fin Tip**

112 S/N 126 thru 499  
112B S/N 500 and Up  
112TC S/N 13000 thru 13149  
112TCA S/N 13150 and Up  
114, 114A,B,  
114TC S/N 14000-14624  
P/N GF44300-3



**Tailcone Stinger**

114  
P/N GF43367-210



**Dorsal Fin Tip**

112, 114 Series  
P/N GF43650-501



**Stabilator Tip**

112,A,B,TC,TCA  
114  
P/N GF44324-400  
Fits left or right.



**Rudder Tip**

112 S/N 126 thru 499  
112B S/N 500 and Up  
112TC S/N 13000 thru 13149  
112TCA S/N 13150 and Up  
114,A,B  
P/N GF44233-11



**Wing Tips**

112, 112A, 114  
P/N GF142242-17 (Left)  
P/N GF142242-18 (Right)

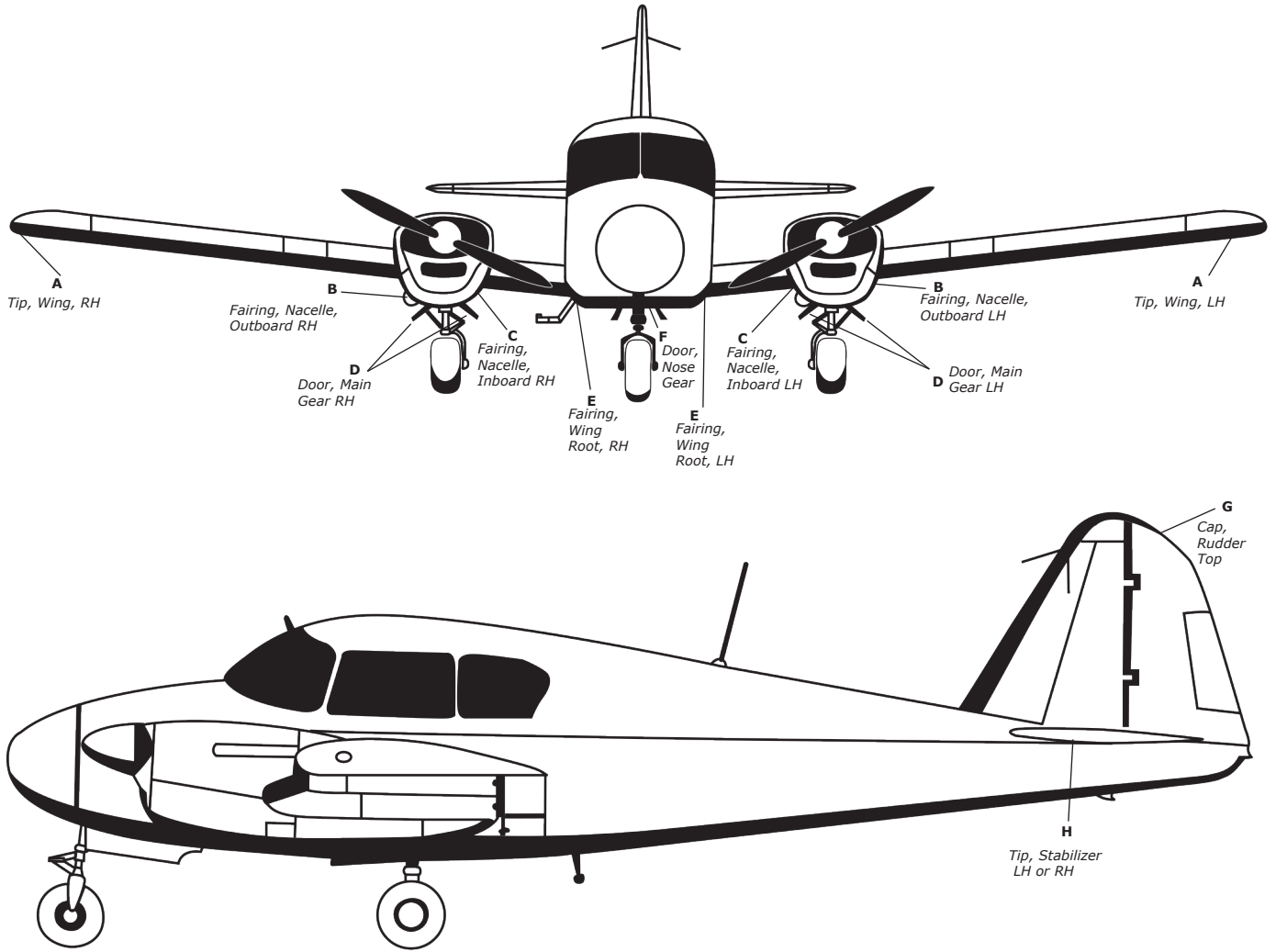
112B, 112TC, 112TCA  
P/N GF175009-3 (Left)  
P/N GF175009-8 (Right)



Photo courtesy of Lauren Sobkoviak

Manufacturer/Material: Aircraft Development/Fiberglass, Knots 2U/Fiberglass, Stene Aviation/Fiberglass, Texas Aeroplastics/ABS Plastic Parts

**Exterior Plastic and Fiberglass  
Piper**  
**Piper PA-23, PA-30, PA-39 Series**



PA-23-235, PA-23-250			
Description	Idx	Part Number	
CAP, Rudder Top	G	33448-000K	4 K
		K16792-00	1 K
Door, Main Gear, LH	D	GF31466-00	2 G K
Door, Main Gear, RH	D	GF31466-01	2 G K
Door, Nose Gear, LH	F	GF31515-00	2 G K
Door, Nose Gear, RH	F	GF31515-01	2 G K
Fairing, Nacelle, Inboard LH	C	GF32466-00	3 K
Fairing, Nacelle, Inboard RH	C	GF32466-01	3 K
Fairing, Nacelle, Outboard LH	B	GF32471-00	3 K
Fairing, Nacelle, Outboard RH	B	GF32471-01	3 K
Fairing, Wing Root, LH	E	GF32464-00	3 K
Fairing, Wing Root, RH	E	GF32464-01	3 K
Tip, Stabilator, Set, RH and LH	H	GF28466-00	K
Tip, Stabilizer, LH or RH	H	GF16109-00	K
Tip, Wing, LH	A	GF34267-00	5 K
Tip, Wing, RH	A	GF34267-01	5 K
1 Models PA-23-235, PA-23-250 S/N 27-1 thru 27-3070 and 27-4445 thru 27-7305134 2 S/N 27-2505 and On 3 S/N 27-3889 and On 4 S/N 27-7305135 and On 5 S/N 27-7654001 thru 27-7954087 6 Only sold in a set containing both LH and RH			
PA-30, 39			
Description	Idx	Part Number	
Cap, Rudder Top	G	GF23595-00	K
Tip, Stabilizer, LH or RH	H	GF25066	2 K
		GF21556-00	1 K
1 Model PA-30 S/N 30-2 thru 30-1744 except 30-1717 2 Model PA-30 S/N 30-1717, 30-1745 and On, PA-39			
Manufacturer/Material: K Knots 2U/Fiberglass			



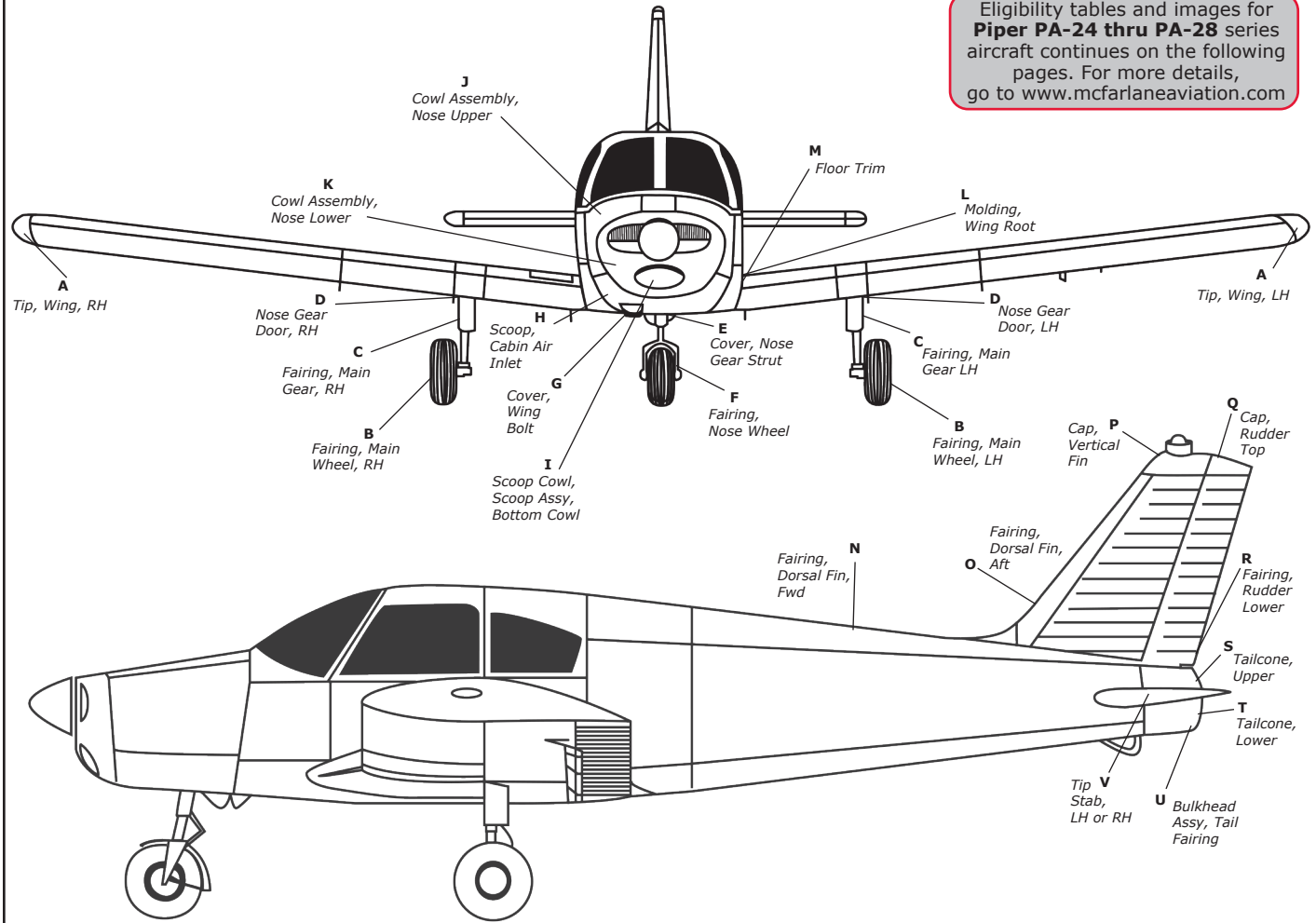
# Exterior Plastic and Fiberglass Piper



## Piper PA-24 and PA-28 Series

Eligibility tables and images for Piper PA-24 thru PA-28 series aircraft continues on the following pages. For more details, go to [www.mcfarlaneaviation.com](http://www.mcfarlaneaviation.com)

Exterior Plastic and Fiberglass



PA-24, PA-24-250, PA-24-260, PA-24-400		
Description	Idx	Part Number
Bulkhead Assy, Tail Fairing	U	GF20804-12 <b>2</b> <b>K</b> GF21605-05 <b>1</b> <b>K</b> GF21555-00 <b>K</b>
Cap, Rudder Top, w/o slot	Q	K23451-00 <b>10</b> <b>K</b> GF24846-00 <b>9</b> <b>K</b>
Cap, Rudder Top, with slot	Q	GF21555-02 <b>K</b>
Cap, Vertical Fin	P	GF21557-00 <b>K</b> GF24896-00 <b>9</b> <b>K</b> SA-21557-00 <b>3</b> <b>S</b>
Fairing, Fin		SA-20404-00 <b>7</b> <b>S</b>
Scoop Assy, Bottom Cowl	I	GF21143 <b>3</b> <b>K</b>
Scoop, Cabin Air Inlet	H	K21933-00 <b>4</b> <b>K</b>
Scoop, Cowl	I	K21947-00 <b>3</b> <b>K</b>
Tip, Stabilizer, LH or RH	V	GF16109-00 <b>10</b> <b>K</b> GF21556-00 <b>7</b> <b>K</b> GF28041-00 <b>3</b> <b>K</b> SA-21556-00 <b>7</b> <b>S</b>
Tip, Wing, Hoerner Style (set)	A	11050-1 <b>K</b>
<b>1</b> PA-24 S/N 24-1 thru 24-3336 only (except 24-3335) PA-24-250 S/N 24-105 thru 24-2843, PA-24-400 S/N All <b>2</b> PA-24 S/N 24-3337 thru 24-3687 only PA-24-250 S/N 24-2844 thru 24-3687, PA-24-260 S/N All <b>3</b> Model PA-24, PA-24-250 only <b>4</b> Model PA-24 and PA-24-250 S/N 24-1330 and on <b>5</b> Model PA-24 only, not for use on PA-24 aircraft with Cowl P/Ns 21950-07/-14, 22858-02, 22857-12, 24895-02/-17, or if carburetor air filter kit 754 285 is installed. <b>6</b> Model PA-24 S/N 24-1477 and On, PA-24-250 All, but can only be installed on PA-24-250, S/N 24-103 thru 24-1476 if carburetor air filter kit 754-285 has been installed. <b>7</b> Model PA-24, PA-24-250, PA-24-260 only (except 24-3335) <b>8</b> Model PA-24-250, PA-24-260 only <b>9</b> Model PA-24-260 only <b>10</b> Model PA-24-400 only		

PA-28-140		
Description	Idx	Part Number
Cap, Fin	P	SA-63514-06 <b>S</b>
Cap, Rudder Top	Q	SA-63541-00 <b>S</b> 60-27 <b>T</b> 60-28 <b>5</b> <b>T</b> GF63514-00 <b>2</b> <b>K</b> GF65345-03 <b>5</b> <b>K</b> SA-65345-03 <b>S</b>
Cap, Vertical Fin, Rotating Beacon	P	SA-99035-03 <b>S</b> 60-63942-00-80A <b>T</b> GF63942-00 <b>K</b>
Cover, Wing Bolt, LH	G	60-63942-01-80A <b>T</b> GF63942-01 <b>K</b>
Cover, Wing Bolt, RH	G	RD-0095-00 <b>4</b> <b>K</b> SA-99621-00 <b>S</b>
Fairing, Dorsal Fin, Aft	O	60-19 <b>3</b> <b>T</b> 60-24 <b>4</b> <b>T</b> GF63517-00 <b>1</b> <b>K</b> RD-0096-00 <b>4</b> <b>K</b> SA-99621-00 <b>S</b>
Fairing, Dorsal Fin, Fwd	N	60-19 <b>3</b> <b>T</b> 60-24 <b>4</b> <b>T</b> GF63517-00 <b>1</b> <b>K</b> RD-0096-00 <b>4</b> <b>K</b> SA-99621-00 <b>S</b>
Fairing, Fin		SA-63517-00 <b>S</b>
Fairing, Main Gear, LH or RH	C	K63338-00 <b>K</b>
Fairing, Main Wheel LH	B	K65203-00 <b>K</b>
Fairing, Main Wheel RH	B	K65203-01 <b>K</b>
Fairing, Nose Wheel	F	K65331-00 <b>K</b>
Moulding, Wing Root	L	K65773-00 <b>K</b>
Tailcone, Assembly	ST	RD-0099-00 <b>K</b> 60-31 <b>T</b> RD-0098-00 <b>K</b>
Tailcone, Lower	T	60-30 <b>T</b> RD-0097-00 <b>K</b>
Tailcone, Upper	S	60-23 <b>T</b> SA-63584-10 <b>S</b>
Tip, Stabilator	V	RD-0094-00 <b>K</b>
Tip, Stabilizer, LH or RH	V	RD-0094-00 <b>K</b>
Tip, Wing, Hoerner Style (set)	A	11051-1 <b>K</b>
<b>Eligibility continues in next column</b>		

Continued from previous column		
Description	Idx	Part Number
Tip, Wing, LH	A	RD-5010-L <b>6</b> <b>K</b> SA-62090-00 <b>S</b>
Tip, Wing, RH	A	RD-5010-R <b>6</b> <b>K</b> SA-62090-01 <b>S</b>
Tip, Wing, LH, 4" Nav Pad Only	A	GF62090-00 <b>K</b>
Tip, Wing, RH, 4" Nav Pad Only	A	GF62090-01 <b>K</b>
Tip, Wing, LH, 6" Nav Pad Std	A	GF78022-00 <b>K</b>
Tip, Wing, RH, 6" Nav Pad Std	A	GF78022-01 <b>K</b>
<b>1</b> S/N 28-20002 thru 28-7125651 and S/N 28-7225001 and On <b>2</b> S/N 28-20002 thru 28-7125651 and S/N 28-7225001 thru 28-7325684 <b>3</b> S/N 28-20002 thru 28-7225612 <b>4</b> S/N 28-7225001 and On <b>5</b> S/N 28-7425001 and On <b>6</b> Kit P/N RMD-005010-PA contains both LH and RH		
PA-28-150, PA-28-160		
Description	Idx	Part Number
Cap, Fin	P	SA-63514-06 <b>S</b>
Cap, Rudder Top	Q	SA-63541-00 <b>S</b>
Cap, Vertical Fin, Rotating Beacon	P	GF63514-00 <b>K</b>
Cover, Wing Bolt, LH	G	60-63942-00-80A <b>T</b> GF63942-00 <b>K</b>
Cover, Wing Bolt, RH	G	60-63942-01-80A <b>T</b> GF63942-01 <b>K</b>
Fairing, Dorsal Fin, Fwd	N	60-19 <b>3</b> <b>T</b> 60-24 <b>4</b> <b>T</b> GF63517-00 <b>1</b> <b>K</b> RD-0096-00 <b>4</b> <b>K</b> SA-99621-00 <b>S</b>
Fairing, Main Gear, LH or RH	C	K63338-00 <b>K</b>
Fairing, Main Wheel LH	B	K65203-00 <b>K</b>
Fairing, Main Wheel RH	B	K65203-01 <b>K</b>
Fairing, Nose Wheel	F	K65331-00 <b>K</b>
Moulding, Wing Root	L	K65773-00 <b>K</b>
Tailcone, Assembly	ST	RD-0099-00 <b>K</b> 60-31 <b>T</b> RD-0098-00 <b>K</b>
Tailcone, Lower	T	60-30 <b>T</b> RD-0097-00 <b>K</b>
Tailcone, Upper	S	60-23 <b>T</b> SA-63584-10 <b>S</b>
Tip, Stabilator	V	RD-0094-00 <b>K</b>
Tip, Stabilizer, LH or RH	V	RD-0094-00 <b>K</b>
Tip, Wing, Hoerner Style (set)	A	11051-1 <b>K</b>
<b>Eligibility continues on next page</b>		

Manufacturer/Material: **K** Knots 2U/Fiberglass, **S** Stene Aviation, **T** Texas Aeroplastics/ABS Plastic Parts

[www.mcfarlaneaviation.com](http://www.mcfarlaneaviation.com)

Items on this page: **⚠** WARNING: Cancer and/or Reproductive Harm - [www.P65Warnings.ca.gov](http://www.P65Warnings.ca.gov)

### Piper PA-24 and PA-28 Series continued from previous page

Continued from previous page

Description	Idx	Part Number
Tailcone, Upper	R	RD-0097-00 <b>K</b>
Tip, Stabilator	V	60-23 <b>T</b>
		SA-63584-10 <b>S</b>
Tip, Stabilizer, LH or RH	V	RD-0094-00 <b>K</b>
Tip, Wing, Hoerner Style (set)	A	11051-1 <b>K</b>
Tip, Wing, LH	A	RD-5010-L <b>K</b> SA-62090-00 <b>S</b>
Tip, Wing, RH	A	RD-5010-R <b>K</b> SA-62090-01 <b>S</b>
Tip, Wing, LH, 4" Nav Pad Only	A	GF62090-00 <b>K</b>
Tip, Wing, RH, 4" Nav Pad Only	A	GF62090-01 <b>K</b>
Tip, Wing, LH, 6" Nav Pad Std	A	GF78022-00 <b>K</b>
Tip, Wing, RH, 6" Nav Pad Std	A	GF78022-01 <b>K</b>

1 Kit P/N RMD-005010-PA contains both LH and RH

**PA-28-151, PA-28-161**

Description	Idx	Part Number
Cap, Vertical Fin, Rot. Beacon	P	60-28 <b>T</b>
		GF65345-03 <b>K</b> SA-65345-03 <b>S</b>
Cap, Vertical Fin, Strobe Beacon	P	SA-99035-03 <b>S</b>
Cover, Nose Gear Strut, Aft	E	GF35838-10 W/Door <b>1 K</b>
		GF35838-10 (No Door) <b>1 K</b>
Cover, Nose Gear Fairing, Aft	E	GF36568-03 <b>2 K</b>
Cover, Nose Gear Fairing, Fwd	E	GF36568-02 <b>2 K</b>
Cover, Nose Gear Strut Fairing Aft	E	GF37893-07 <b>3 K</b> GF37928-04 <b>1 K</b>
Cover, Nose Gear Strut Fairing, Fwd	E	GF37893-06 <b>3 K</b> GF37928-03 <b>4 K</b>
Cover, Wing Bolt, LH	G	60-63942-00-80A <b>T</b> GF63942-00 <b>1 K</b>
Cover, Wing Bolt, RH	G	60-63942-01-80A <b>T</b> GF63942-01 <b>1 K</b>
Cowl Assy, Nose Upper	J	K35699-02 <b>4 K</b>
Cowl Assy, Nose Lower	K	K35699-03 <b>4 K</b>
Fairing, Dorsal Fin, Aft	O	RD-0095-00 <b>K</b> SA-99619-00 <b>S</b>
Fairing, Dorsal Fin, Fwd	N	RD-0096-00 <b>K</b> SA-99621-00 <b>S</b>
Fairing, Main Gear, LH or RH	C	K63338-00 <b>K</b>
Fairing, Main Wheel LH	B	K65203-00 <b>3 K</b>
Fairing, Main Wheel RH	B	K65203-01 <b>3 K</b>
Fairing, Main Wheel Access Panel, LH	B	GF79890-02 <b>1 K</b>
Fairing, Main Wheel Access Panel, RH	B	GF79890-03 <b>1 K</b>
Fairing, Main Wheel Shell, LH	B	GF79890-00 <b>1 K</b>
Fairing, Main Wheel Shell, RH	B	GF79890-01 <b>1 K</b>
Fairing, Main Wheel, Fwd Up LH	B	GF79892-04 <b>1 K</b>
Fairing, Main Wheel, Fwd Up RH	B	GF79892-05 <b>1 K</b>
Fairing, Main Wheel, Aft Up RH	B	GF79892-09 <b>1 K</b>
Fairing, Main Wheel, Aft Up LH	B	GF79892-10 <b>1 K</b>
Fairing, Nose Wheel	F	K35512-00 <b>6 K</b>
Moulding, Wing Root	L	K65773-00 <b>K</b>
Tailcone, Assembly	ST	RD-0099-00 <b>K</b>
Tailcone, Lower	T	RD-0098-00 <b>K</b>
Tailcone, Upper	S	RD-0097-00 <b>K</b>
Tip, Stabilizer, LH or RH	V	60-23 <b>T</b>
		SA-63584-10 <b>S</b>
Tip, Wing, LH	A	60-33L-4-80A <b>T</b>
		60-33L-6-80A <b>T</b>
		GF35115-00 <b>K</b>
		RD-6010-L <b>7 K</b>
Tip, Wing, RH	A	60-33R-4-80A <b>T</b>
		60-33R-6-80A <b>T</b>
		GF35115-01 <b>K</b>
		RD-6010-R <b>7 K</b>
Tip, Wing, LH, 4" Nav Pad Std	A	SA-35115-00 <b>S</b>
Tip, Wing, LH, 6" Nav Pad Std	A	SA-35115-10 <b>S</b>
Tip, Wing, RH, 4" Nav Pad Std	A	SA-35115-01 <b>S</b>
Tip, Wing, RH, 6" Nav Pad Std	A	SA-35115-11 <b>S</b>

1 Model PA-28-161 only

2 Model PA-28-151 and

PA-28-161 S/N 28-7816001 thru 28-8616057 only

3 PA-28-151 S/N 28-7415001 thru 28-7415713, 28-7515459,

28-7615445, 28-7715314, PA-28-161 S/N 28-7716001

thru 28-7716323, 28-7816695, 28-7916617, 28-8416131,

28-8516099, 28-8616057 only

4 PA-28-161 S/N 28-7816001 thru 28-8616057

5 Model PA-28-151 and

PA-28-161 S/N 28-7716001 thru 28-7715323 only

6 Models PA-28-151 and PA-28-161 S/N 28-7716001

thru 28-7716323 only

7 Kit P/N RMD-006010-PA contains both LH and RH

**PA-28-180**

Description	Idx	Part Number
Cap, Fin	P	SA-63514-06 <b>S</b>
Cap, Rudder Top	Q	SA-63541-00 <b>S</b>
Cap, Vertical Fin, Rotating Beacon	P	60-27 <b>T</b>
		60-28 <b>6 T</b>
		GF63514-00 <b>1 K</b>
		GF65345-03 <b>6 K</b> SA-65345-03 <b>S</b>
Cap, Vertical Fin, Strobe Beacon	P	SA-99035-03 <b>S</b>
Cover, Wing Bolt, LH	G	60-63942-00-80A <b>T</b> GF63942-00 <b>K</b>
Cover, Wing Bolt, RH	G	60-63942-01-80A <b>T</b> GF63942-01 <b>K</b>
Fairing, Fin	A	SA-63517-00 <b>S</b>
Fairing, Dorsal Fin, Aft	O	RD-0095-00 <b>4 K</b> SA-99619-00 <b>S</b>
Fairing, Dorsal Fin, Fwd	N	60-19 <b>1 T</b>
		60-24 <b>3 T</b>
		RD-0096-00 <b>4 K</b>
		SA-99621-00 <b>S</b>
Fairing, Main Gear, LH or RH	C	K63338-00 <b>K</b>
Fairing, Main Wheel LH	B	K65203-00 <b>K</b>
Fairing, Main Wheel RH	B	K65203-01 <b>K</b>
Fairing, Nose Wheel	F	K65331-00 <b>K</b>
Moulding, Wing Root	L	K65773-00 <b>K</b>
Tailcone, Assembly	ST	RD-0099-00 <b>K</b>
Tailcone, Lower	T	60-31 <b>T</b> RD-0098-00 <b>K</b>
Tailcone, Upper	S	60-30 <b>T</b> RD-0097-00 <b>K</b> 60-23 <b>T</b>
Tip, Stabilator LH or RH	V	RD-0094-00 <b>K</b> SA-63584-10 <b>S</b>
Tip, Wing, Hoerner Style (set)	A	11051-1 <b>K</b>
Tip, Wing, LH	A	RD-5010-L <b>7 K</b> SA-62090-00 <b>S</b>
Tip, Wing, LH, 4" Nav Pad Only	A	GF62090-00 <b>2 K</b>
Tip, Wing, LH, 4" Nav Pad Std	A	GF78022-00 <b>5 K</b>
Tip, Wing, LH, 6" Nav Pad Std	A	GF78022-02 <b>5 K</b>
Tip, Wing, RH	A	RD-5010-R <b>7 K</b>
Tip, Wing, RH, 4" Nav Pad Only	A	GF62090-01 <b>2 K</b> SA-62090-01 <b>S</b>
Tip, Wing, RH, 4" Nav Pad Std	A	GF78022-01 <b>5 K</b>
Tip, Wing, RH, 6" Nav Pad Std	A	GF78022-03 <b>5 K</b>

**PA-28R-180**

Description	Idx	Part Number
Cap, Vertical Fin, Rotating Beacon	P	60-27 <b>T</b> 60-28 <b>T</b> GF65345-03 <b>K</b>
Cover, Wing Bolt, LH	G	60-63942-00-80A <b>T</b> GF63942-00 <b>K</b>
Cover, Wing Bolt, RH	G	60-63942-01-80A <b>T</b> GF63942-01 <b>K</b>
Door, Nose Gear, LH	D	GF67352-00 <b>K</b>
Door, Nose Gear, RH	D	GF67352-01 <b>K</b>
Fairing, Dorsal Fin, Fwd	N	60-19 <b>1 T</b>
		GF63517-00 <b>2 K</b> SA-63517-00 <b>S</b>
Moulding, Wing Root	L	K65773-00 <b>K</b>
Tailcone, Assembly	ST	RD-0099-00 <b>K</b>
Tailcone, Lower	T	60-31 <b>T</b> RD-0098-00 <b>K</b>
Tailcone, Upper	T	60-30 <b>T</b> RD-0097-00 <b>K</b>
Tip, Stabilator, Ext. LH or RH	V	K2U65300-00 <b>2 K</b>
Tip, Wing, Hoerner Style (set)	A	11051-1 <b>K</b>
Tip, Wing, LH	A	RD-5010-L <b>3 K</b>
Tip, Wing, LH, 4" Nav Pad Only	A	GF62090-00 <b>K</b> SA-62090-00 <b>S</b>
Tip, Wing, LH, 4" Nav Pad Std	A	GF78022-00 <b>K</b>
Tip, Wing, LH, 6" Nav Pad Std	A	SA-78022-00 <b>S</b>
Tip, Wing, LH, 6" Nav Pad Std	A	GF78022-02 <b>K</b>
Tip, Wing, RH	A	RD-5010-R <b>3 K</b>

Eligibility continues in next column

## Continued from previous column

Description	Idx	Part Number
Tip, Wing, RH, 4" Nav Pad Only	A	GF62090-01 <b>K</b> SA-62090-01 <b>S</b>
Tip, Wing, RH, 4" Nav Pad Std	A	GF78022-01 <b>K</b> SA-78022-01 <b>S</b>
Tip, Wing, RH, 6" Nav Pad Std	A	GF78022-03 <b>K</b>
1 S/N 28R-30005 thru 28R-7120019		
2 S/N 28R-30005 and On		
3 Kit P/N RMD-005010-PA contains both LH and RH		

**PA-28-181**

Description	Idx	Part Number
Cap, Fin	P	SA-63514-06 <b>S</b>
Cap, Vertical Fin, Rotating Beacon	P	60-28 <b>T</b>
		GF65345-03 <b>4 K</b> SA-65345-03 <b>S</b>
Cap, Vertical Fin, Strobe Beacon	P	SA-99035-03 <b>S</b>
Cover, Nose Gear Fairing, Aft	E	GF36559-803 <b>K</b> GF37925-06 <b>K</b> GF37926-04 <b>K</b>
Cover, Nose Gear Fairing, Fwd	E	K36559-806 <b>6 K</b> GF37925-07 <b>K</b> GF37926-03 <b>K</b>
Cover, Wing Bolt, LH	G	60-63942-00-80A <b>T</b> GF63942-00 <b>K</b>
Cover, Wing Bolt, RH	G	60-63942-01-80A <b>T</b> GF63942-01 <b>K</b>
Fairing, Dorsal Fin, Aft	O	RD-0095-00 <b>K</b> SA-99619-00 <b>S</b>
Fairing, Dorsal Fin, Fwd	N	60-24 <b>T</b>
		RD-0096-00 <b>K</b> SA-99621-00 <b>S</b>
Fairing, Main Gear, LH or RH	C	K63338-00 <b>K</b>
Fairing, Main Wheel LH	B	K65203-00 <b>3 K</b>
Fairing, Main Wheel RH	B	K65203-01 <b>3 K</b>
Fairing, Main Wheel Access Panel, LH	B	GF79890-02 <b>7 K</b>
Fairing, Main Wheel Access Panel, RH	B	GF79890-03 <b>7 K</b>
Fairing, Main Wheel Shell, LH	B	GF79890-00 <b>7 K</b>
Fairing, Main Wheel Shell, RH	B	GF79890-01 <b>7 K</b>
Fairing, Main Whl, Up, Fwd, LH	B	GF79892-04 <b>7 K</b>
Fairing, Main Whl, Up, Fwd, RH	B	GF79892-05 <b>7 K</b>
Fairing, Main Whl, Up, Aft, RH	B	GF79892-09 <b>7 K</b>
Fairing, Main Whl, Up, Aft, LH	B	GF79892-10 <b>7 K</b>
Fairing, Nose Wheel 6.00 X 6 w/o Door	F	GF35944-014 <b>8 K</b>
Fairing, Nose Wheel 6.00 X 6 w/Door	F	GF35944-15 <b>5 K</b>
Moulding, Wing Root	L	K65773-00 <b>K</b>
Tailcone, Assembly	ST	RD-0099-00 <b>K</b>
Tailcone, Lower	T	60-31 <b>T</b> RD-0098-00 <b>K</b>
Tailcone, Upper	T	60-30 <b>T</b> RD-0097-00 <b>K</b> 60-23 <b>T</b>
Tip, Stabilator LH or RH	V	RD-0094-00 <b>K</b> SA-63584-10 <b>S</b>
Tip, Wing, Left	A	60-33L-4-80A <b>T</b>
		60-33L-6-80A <b>T</b>
		GF35115-00 <b>K</b> RD-6010-L <b>9 K</b>
Tip, Wing, LH, 4" Nav Pad	A	GF62090-00 <b>2 K</b> SA-35115-00 <b>S</b>
Tip, Wing, LH, 4" Nav Pad Std	A	GF78022-00 <b>2 K</b> SA-35115-10 <b>S</b>
Tip, Wing, LH, 6" Nav Pad Std	A	GF78022-02 <b>2 K</b> SA-35115-10 <b>S</b>
Tip, Wing, RH	A	60-33R-4-80A <b>T</b>
		60-33R-6-80A <b>T</b>
		GF35115-01 <b>K</b> RD-6010-R <b>9 K</b>
Tip, Wing, RH, 4" Nav Pad	A	GF62090-01 <b>2 K</b> SA-35115-01 <b>S</b>
Tip, Wing, RH, 4" Nav Pad Std	A	GF78022-01 <b>2 K</b> SA-35115-01 <b>S</b>
Tip, Wing, RH, 6" Nav Pad Std	A	GF78022-03 <b>2 K</b> SA-35115-11 <b>S</b>

1 S/N 2843001 thru 2890231 only

2 S/N 28-7690001 thru 28-7790000

3 S/N 28-7690001 thru 28-7790607

4 S/N 28-7690001 thru 28-8690062

5 S/N 28-7790001 and On

6 S/N 28-7890001 and On

7 S/N 28-7890001 thru 28-7921095 only

8 S/N 28-7890001 thru 28-8690062 only

9 Kit P/N RMD-006010-PA contains both LH and RH

**Piper PA-24 and PA-28 Series  
continued from previous page**

PA-28R-200, PA-28-201T, PA-28R-201, PA-28R-201T, PA-28RT-201, PA-28RT-201T

Description	Idx	Part Number		
Cap, Fin	P	SA-38222-00 18 S		
Cap, Vertical Fin, Rotating Beacon	P	60-27 1 T		
		60-28 2 T		
		GF65345-03 2 K		
		SA-65345-003 2 S		
Cap, Vertical Fin, Strobe Beacon	P	SA-99035-03 2 S		
Cover, Nose Gear Fairing, Aft	E	GF35832-07 11 K		
Cover, Wing Bolt, LH	G	60-63942-00-80A 2 T		
		GF63942-00 3 K		
Cover, Wing Bolt, RH	G	60-63942-01-80A 3 T		
		GF63942-01 2 K		
Door, Nose Gear, LH	D	GF67352-00 4 K		
Door, Nose Gear, RH	D	GF67352-01 4 K		
Fairing, Dorsal Fin, Aft	O	RD-0095-00 10 K		
		K78913-07 12 K		
		SA-99619-00 2 S		
Fairing, Dorsal Fin, Fwd	N	60-19 5 T		
		60-24 9 T		
		RD-0096-00 10 K		
		GF78913-00 12 K		
		GF63517-00 5 K		
		K65773-00 K		
		SA-63517-00 1 S		
		SA-99621-00 2 S		
		Fairing, Main Gear, LH or RH	C	K63338-00 11 K
		Fairing, Main Wheel Access Panel, LH	B	GF79890-02 10 K
Fairing, Main Wheel Access Panel, RH	B	GF79890-03 11 K		
Fairing, Main Wheel Shell, LH	B	GF79890-00 10 K		
Fairing, Main Wheel Shell, RH	B	GF79890-01 10 K		
Fairing, Main Wheel, Up, Fwd LH	B	GF79892-04 10 K		
Fairing, Main Wheel, Up, Fwd RH	B	GF79892-05 10 K		
Fairing, Main Wheel, Up, Aft LH	B	GF79892-10 10 K		
Fairing, Main Wheel, Up, Aft RH	B	GF79892-09 10 K		
Fairing, Nose Gear Strut, Fwd	F	GF35832-06 11 K		
Fairing, Rudder, Lower, No Position Light	R	GF35885-10 8 K		
Fairing, Rudder, Lower, w/ Light Receptacle	R	GF35885-03 8 K		
Tailcone, Assembly	ST	RD-0099-00 2 K		
Tailcone, Lower	T	60-31 1 T		
		RD-0098-00 2 K		
Tailcone, Upper	S	60-30 1 T		
		RD-0097-00 2 K		
Tip, Stabilator LH or RH	V	60-23 10 T		
		RD-0094-00 8 K		
		SA-63584-10 2 S		
Tip, Stabilator LH or RH, Ext.	V	K2U65300-00 7 K		
Tip, Wing, LH	A	60-33L-4-80A 14 T		
		60-33L-6-80A 12 T		
		GF35115-00 13 K		
		RD-5010-L 1 16 K		
		RD-6010-L 14 17 K		
		SA-62090-00 1 S		
Tip, Wing, RH	A	SA-78022-00 1 S		
		60-33R-4-80A 14 T		
		60-33R-6-80A 12 T		
		GF35115-01 13 K		
		RD-5010-R 1 16 K		
		RD-6010-R 14 17 K		
Tip, Wing, Hoerner Style (set)	A	11051-1 1 K		
		GF62090-00 6 K		
Tip, Wing, LH, 4" Nav Pad Only	A	SA-35115-00 12 S		
		SA-36739-52 13 S		
Tip, Wing, RH, 4" Nav Pad Only	A	GF62090-01 6 K		
		SA-35115-01 12 S		
Tip, Wing, LH, 6" Nav Pad Only	A	SA-36739-54 13 S		
		SA-35115-10 12 S		
Tip, Wing, RH, 6" Nav Pad Only	A	SA-36739-53 13 S		
		SA-35115-11 12 S		
		SA-36739-55 13 S		

Eligibility continues in next column

Manufacturer/Material: K Knots 2U/Fiberglass, S Stene Aviation, T Texas Aeroplastics/ABS Plastic Parts

www.mcfarlaneaviation.com

Continued from previous column

- Model PA-28R-200 only
- Models PA-28R-200, PA-28R-201, PA-28R-201T only
- Models PA-28R-200, PA-28R-201, PA-28R-201T, PA-28RT-201 and PA-28RT-201T only
- Models PA-28R-200, PA-28R-201, PA-28R-201T, PA-28RT-201 only
- Model PA-28R-200 S/N 28R-35001 thru 28R-7135238
- Model PA-28R-200 S/N 28R-35001 thru 28R-7235000
- Model PA-28R-200 S/N 28R-35001 thru 28R-7135238 and Models PA-28-201T, PA-28R-201T
- Model PA-28R-200 S/N 28R-7135239 thru 28R-7635545 and Models PA-28-201T, PA-28R-201, PA-28R-201T
- Model PA-28R-200 S/N 28R-7235001 thru 28R-7635545 and Models PA-28R-201, PA-28R-201T
- Model PA-28R-200 S/N 28R-7235001 thru 28R-7635545 and Models PA-28-201T, PA-28R-201, PA-28R-201T
- PA-28R-201 only
- PA-28RT-201 and PA-28RT-201T only
- PA-28RT-201 S/N 28R-7918001 thru 28R-8118092 and PA-28RT-201T S/N 28R-7931001 thru 28R-8131229
- Models PA-28R-201 and PA-28R-201T, PA-28RT-201, PA-28RT-201T only
- Models PA-28-201T, PA-28R-201 and PA-28R-201T, PA-28RT-201, PA-28RT-201T only
- Kit P/N RMD-005010-PA contains both LH and RH
- Kit P/N RMD-006010-PA contains both LH and RH
- Models PA-28R-201 and PA-28R-201T

PA-28-235, PA-28-236

Description	Idx	Part Number
Cap, Vertical Fin, Rotating Beacon	P	60-27 5 T
		60-28 5 T
		GF65345-03 K
		SA-65345-03 S
Cap, Vertical Fin, Strobe Beacon	P	SA-99035-03 S
Cover, Nose Gear Fairing, Aft	E	GF35946-02 10 K
		GF37926-04 10 K
Cover, Nose Gear Fairing, Fwd	E	GF37926-03 10 K
Cover, Wing Bolt, LH	G	60-63942-00-80A 5 T
		GF63942-00 6 K
Cover, Wing Bolt, RH	G	60-63942-01-80A 5 T
		GF63942-01 6 K
Fairing, Dorsal Fin, Aft	O	RD-0095-00 7 K
		SA-99619-00 S
Fairing, Dorsal Fin, Fwd	N	60-24 7 T
		RD-0096-00 7 K
		SA-99621-00 S
Fairing, Main Wheel LH	B	K65203-00 1 K
Fairing, Main Wheel RH	B	K65203-01 1 K
Fairing, Main Wheel Access Panel, LH	B	GF79890-02 10 K
Fairing, Main Wheel Access Panel, RH	B	GF79890-03 10 K
Fairing, Main Wheel Shell, LH	B	GF79890-00 10 K
Fairing, Main Wheel Shell, RH	B	GF79890-01 10 K
Fairing, Main Wheel, Up, Fwd LH	B	GF79892-04 10 K
Fairing, Main Wheel, Up, Fwd RH	B	GF79892-05 10 K
Fairing, Main Wheel, Up, Aft RH	B	GF79892-09 10 K
Fairing, Main Wheel, Up, Aft LH	B	GF79892-10 10 K
Fairing, Main Gear, LH or RH	C	K63338-00 K
Fairing, Nose Wheel 6.00 X 6 w/o Door	F	GF35944-014 10 K
Fairing, Nose Wheel	F	K65331-00 2 K
Fairing, Nose Gear Strut, Fwd	F	GF35931-06 12 K
Fairing, Nose Gear Strut, Aft	F	GF35931-07 12 K
Floor Trim	M	60-18 3 K
Molding, Wing Root	L	K65773-00 K
Tailcone, Assembly	ST	RD-0099-00 6 K
Tailcone, Lower	T	60-31 6 T
		RD-0098-00 6 K
Tailcone, Upper	S	60-30 6 T
		RD-0097-00 6 K
Tip, Stabilator LH or RH	V	60-23 9 T
		RD-0094-00 8 K
		SA-63584-10 S
Tip, Stabilator LH or RH, Ext.	V	K2U65300-00 4 K
Tip, Wing, LH	A	60-33L-4-80A 10 T
		60-33L-6-80A 10 T
		GF35115-00 11 K
		RD-5010-L 1 13 K
		RD-6010-L 10 14 K
Tip, Wing, RH	A	60-33R-4-80A 10 T
		60-33R-6-80A 10 T
		GF35115-01 11 K
		RD-5010-R 1 13 K
		RD-6010-R 10 14 K

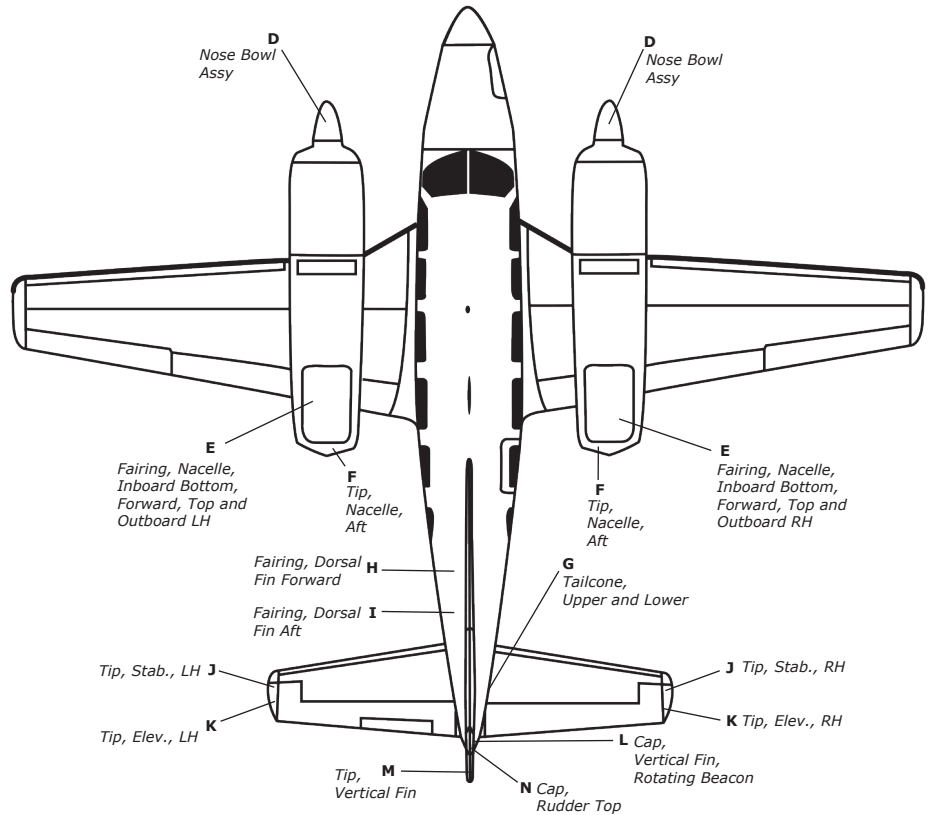
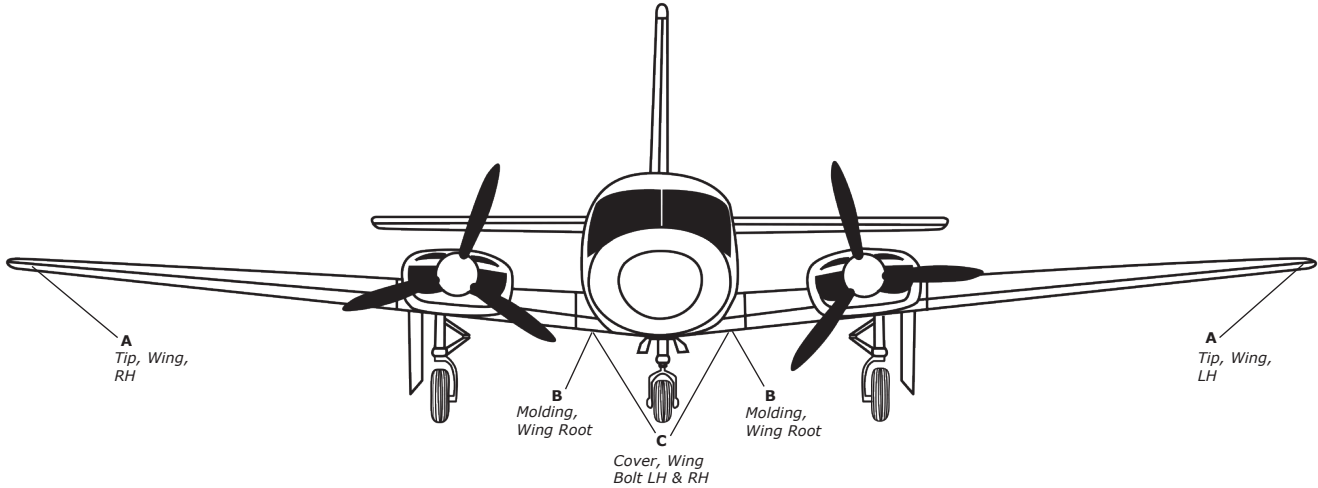
Eligibility continues in next column

Continued from previous column

Description	Idx	Part Number
Tip, Wing, LH, 4" Nav Pad Only	A	SA-35115-00 10 S
Tip, Wing, RH, 4" Nav Pad Only	A	SA-35115-01 10 S
Tip, Wing, LH, 6" Nav Pad Only	A	SA-35115-10 10 S
Tip, Wing, RH, 6" Nav Pad Only	A	SA-35115-11 10 S
1 Model PA-28-235 only		
2 Model PA-28-235 S/N 28-10001 thru 28-7310187		
3 Model PA-28-235 S/N 28-10003 thru 28-10719		
4 Model PA-28-235 S/N 28-10003 thru 28-7210033		
5 Model PA-28-235 S/N 28-10003 thru 28-7710089		
6 Model PA-28-235 S/N 28-10003 thru 28-7710089 and Model PA-28-236		
7 Model PA-28-235 S/N 28-7210001 thru 28-7710089 and Model PA-28-236		
8 Model PA-28-235 S/N 28-7210034 thru 28-7710089 and Model PA-28-236		
9 Model PA-28-235 S/N 28-7310001 thru 28-7710089 and Model PA-28-236		
10 Model PA-28-236 only		
11 Model PA-28-236 S/N 28-7911001 thru 28-8611008		
12 Model PA-28-236 S/N 28-811081 thru 28-8611008		
13 Kit P/N RMD-005010-PA contains both LH and RH		
14 Kit P/N RMD-006010-PA contains both LH and RH		

**Piper PA-31, PA-34, PA-44, and PA-60 Series**

Exterior Plastic and Fiberglass



**PA-31, PA-31-300, PA-31-325, PA-31-350, PA-31P, PA31P-350, PA-31T, PA-31T1, PA-31T2, PA-31T3**

Description	Idx	Part Number
Fairing, Nacelle, Inbrd Btm, LH	E	GF42455-04 <b>K</b>
Fairing, Nacelle, Inbrd Btm, RH	E	GF42455-05 <b>K</b>
Fairing, Nacelle, Inbrd Fwd, LH	E	GF42455-02 <b>K</b>
Fairing, Nacelle, Inbrd Fwd, RH	E	GF42455-03 <b>K</b>
Fairing, Nacelle, Inbrd Top, LH	E	GF42455-00 <b>K</b>
Fairing, Nacelle, Inbrd Top, RH	E	GF42455-01 <b>K</b>
Fairing, Nacelle, Outboard, LH	E	GF42426-00 <b>K</b>
Fairing, Nacelle, Outboard, RH	E	GF42426-01 <b>K</b>
Tip, Elevator, Leading Edge	K	GF43786-00 <b>1 K</b>
Tip, Elevator, LH	K	GF43741-00 <b>1 K</b>
Tip, Elevator, RH	K	GF43741-01 <b>1 K</b>
Tip, Stabilizer, LH or RH	J	GF40364-02 <b>1 K</b>
Tip, Vertical Fin	M	GF44943-00 <b>2 K</b>
Tip, Wing, Lens LH	A	GF42027-04 <b>5 K</b>
Tip, Wing, Lens RH	A	GF42027-05 <b>5 K</b>
Tip, Wing, LH, with Reco Light	A	GF55802-12 <b>3 K</b>
Tip, Wing, RH, with Reco Light	A	GF55802-13 <b>3 K</b>

- 1** Models PA-31, PA-31-300, PA-31-325 and PA-31-350 S/N 31-5 and On
- 2** Model PA-31-350 S/N 31-7305053 and On, Model PA-31P-350 S/N 31P-8414001 and On
- 3** Model PA-31-350 S/N 31-7852001 and On
- 4** Models PA-31-300, PA-31-325, PA-31-350
- 5** Models PA-31, PA-31-300, PA-31-325 S/N 31-5 thru 31-7300961, PA-31-350 S/N 31-5001 thru 73605052, PA-31P S/N 31P-3 thru 31P-7300146

**PA-34-200, PA-34-200T, PA-34-220T**

Description	Idx	Part Number
Cap, Rudder Top	N	GF95907-00 <b>1 K</b>
Cover, Wing Bolt, LH	C	60-63942-00-80A <b>1 K</b> GF63942-00 <b>K</b>
Cover, Wing Bolt, RH	C	60-63942-01-80A <b>1 K</b> GF63942-01 <b>K</b>
Fairing, Tailcone, Lower	G	GF96338-08 <b>K</b>
Fairing, Tailcone, Upper	G	GF96338-04 <b>K</b>
Moulding, Wing Root	B	K65773-00 <b>K</b>
Nose Bowl Assembly	D	GF67998 <b>2 K</b>
Tip, Horizontal Stab., LH or RH	J	GF95620-07 <b>K</b>
Tip, Wing, LH	A	RD-5010-L <b>4 K</b>
Tip, Wing, RH	A	RD-5010-R <b>4 K</b>
Tip, Wing, LH, 4" Nav Pad Only	A	GF62090-00 <b>3 K</b>
Tip, Wing, RH, 4" Nav Pad Only	A	GF62090-01 <b>3 K</b>
Tip, Wing, LH, 4" Nav Pad Std	A	GF78022-00 <b>K</b>
Tip, Wing, RH, 4" Nav Pad Std	A	GF78022-01 <b>K</b>
Tip, Wing, LH, 6" Nav Pad Std	A	GF78022-02 <b>K</b>
Tip, Wing, RH, 6" Nav Pad Std	A	GF78022-03 <b>K</b>

- 1** Models PA-34-200, PA-34-200T
- 2** Models PA-34-200, PA-34-200T and PA-34-220T, S/N 3448038 and On
- 3** Models PA-34-200 S/N 34-7250001 thru 32-7250370, PA-34-200T, PA-34-220T
- 4** Sold in pairs only, Kit P/N RMD-005010-PA

**PA-44-180, PA-44-180T**

Description	Idx	Part Number
Cover, Wing Bolt, LH	C	60-63942-00-80A <b>1 K</b> GF63942-00 <b>K</b>
Cover, Wing Bolt, RH	C	60-63942-01-80A <b>1 K</b> GF63942-01 <b>K</b>
Fairing, Dorsal Fin, Aft	I	K78913-07 <b>K</b>
Fairing, Dorsal Fin, Fwd	H	GF78913-00 <b>K</b>
Fairing, Tailcone, w/o receptacle	G	K36721-003 <b>K</b>
Fairing, Tailcone, w/ receptacle	G	K86597-02 <b>2 K</b>
Moulding, Wing Root	B	K65773-00 <b>K</b>
Tip, Nacelle, Aft	F	GF86298-02 <b>K</b>
Tip, Stabilizer, LH or RH	J	RD-0094-00 <b>K</b>

- 1** Model PA-44-180
- 2** Model PA-44-180T

**PA-60-600, PA-60-601, PA-60-601P, PA-60-602P, PA60-700P**

Description	Idx	Part Number
Tip, Horizontal, LH or RH	K	GF220021-903 <b>K</b>
Tip, Vertical, w/o Beacon	M	GF220021-505 <b>1 K</b>
Tip, Vertical, with Beacon	M	GF220021-913 <b>1 K</b>
Tip Long, Wing Short, LH	A	GF200038-901 <b>3 K</b>
Tip Long, Wing Short, RH	A	GF200038-902 <b>3 K</b>
Tip Short, Wing Long, LH	A	GF200102-901 <b>2 K</b>
Tip Short, Wing Long, RH	A	GF200102-902 <b>2 K</b>

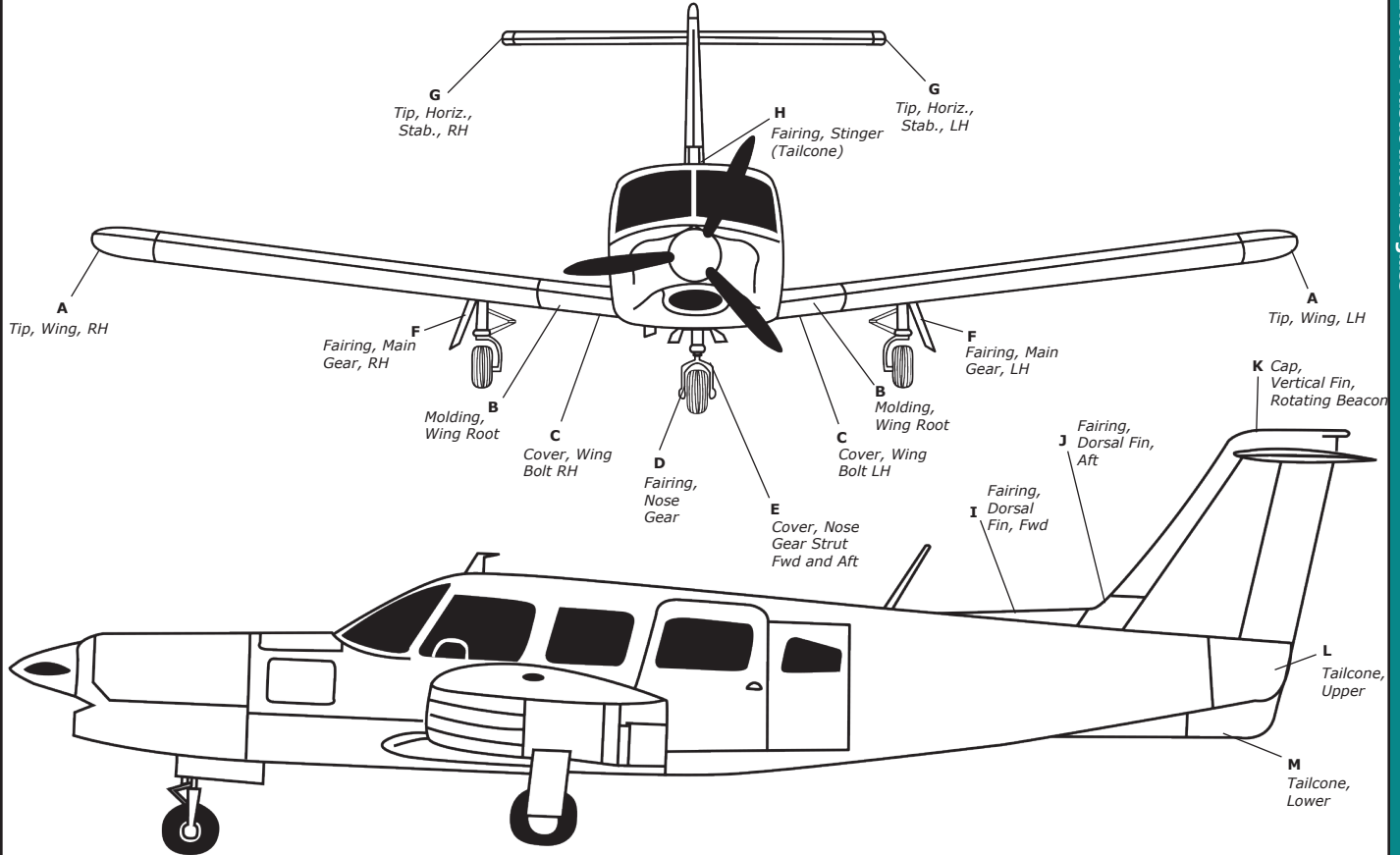
- 1** Models PA-60-600, PA-60-601, PA-60-601P, PA-60-602P
- 2** Models PA-60-601, PA-60-601P, PA-60-602P, PA-60-700P
- 3** Models PA-60-601 S/N 0341 and On, PA-60-601P, S/N 0213 and On

Manufacturer/Material: **K** Knots 2U/Fiberglass, **S** Stene Aviation, **T** Texas Aeroplastics/ABS Plastic Parts

# Exterior Plastic and Fiberglass Piper



## Piper PA-32 Series



Exterior Plastic and Fiberglass

PA-32-260, PA-32-300, PA-32-301, PA-32-301T, PA-32-301FT, PA-32-301XTC, PA-32R-300, PA-32R-301, PA-32R-301T, PA-32RT-300, PA-32RT-300T, PA-32S-300			
Description	Idx	Part Number	
Cap, Fin	K	SA-38222-00	26 S
Cap, Vertical Fin, Rotating Beacon	K	GF65345-03	16 K
Cap, Vertical Fin, Strobe Beacon	K	SA-65345-03	S
Cap, Vertical Fin, Strobe Beacon	K	SA-99035-03	S
Cover, Nose Gear Strut, Aft		GF35838-10	18 K
		GF36559-803	4 23 K
	E	GF37891-807	11 K
		GF37926-04	1 K
Cover, Nose Gear Strut, Fwd		GF38700-02	19 K
		GF36559-804	4 K
	E	GF37891-806	11 K
		GF37926-03	1 K
Cover, Wing Bolt, LH		GF38682-02	14 21 K
		GF38700-04	19 K
	C	60-63942-00-80A	7 T
Cover, Wing Bolt, RH		GF63942-00	23 K
	C	60-63942-01-80A	7 T
Fairing, Fin		SA-63517-00	1 S
Fairing, Dorsal Fin, Aft		K78913-07	22 K
		RD-0095-00	13 K
		SA-99619-00	S
Fairing, Dorsal Fin, Fwd		60-19	8 T
		60-24	9 T
		GF63517-00	13 K
		GF78913-00	22 K
		RD-0096-00	13 K
		SA-99621-00	S
Fairing, Main Gear, LH or RH	F	K63338-00	1 K
Fairing, Main Gear LH	F	K65203-00	6 K
Fairing, Main Gear RH	F	K65203-01	6 K
Fairing, Main Gear Access Panel, LH	F	GF79890-02	12 K
Fairing, Main Gear Access Panel, RH	F	GF79890-03	12 K

Continued on next column

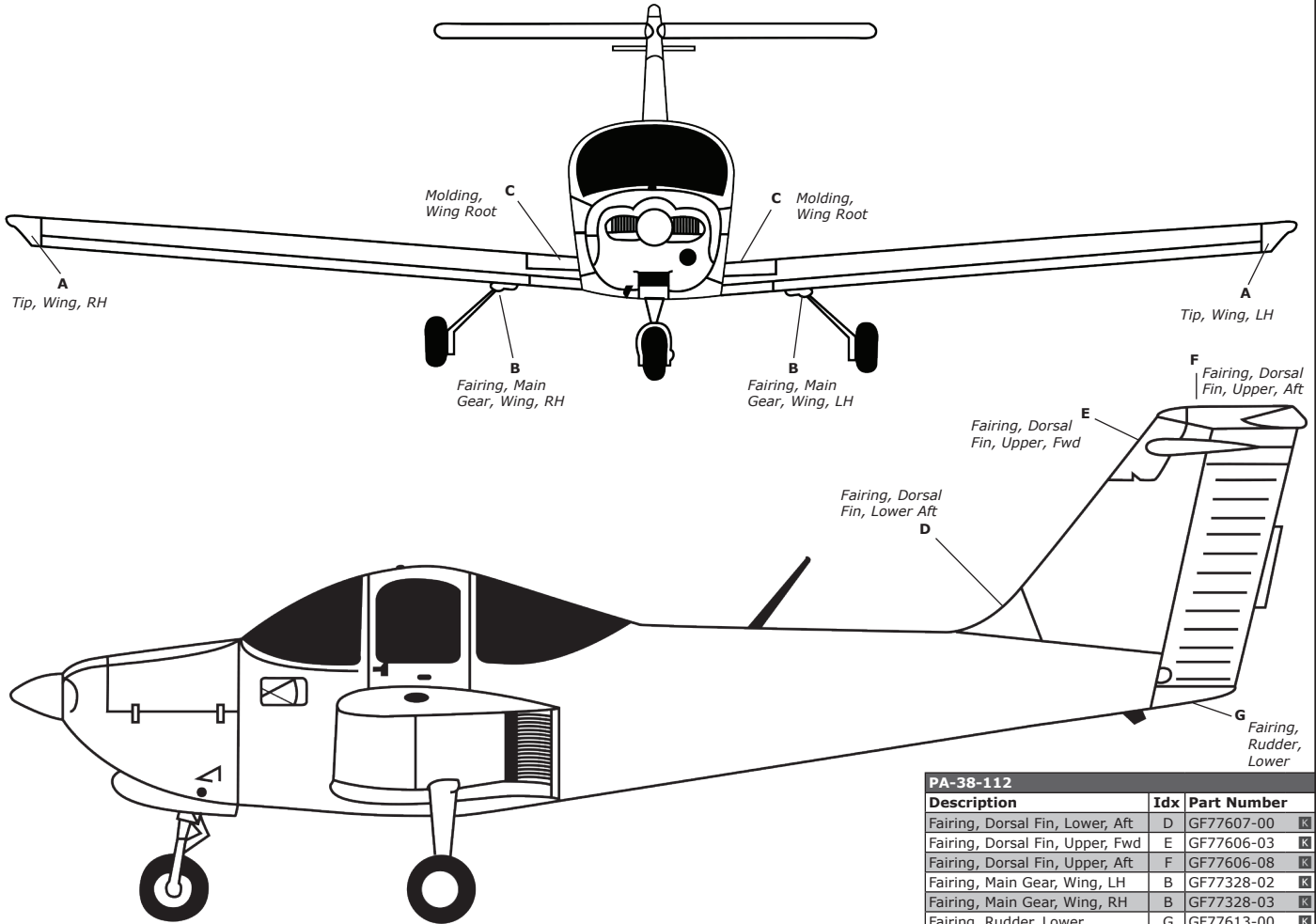
Description	Idx	Part Number	
Fairing, Main Gear Shell, LH	F	GF79890-00	12 K
Fairing, Main Gear Shell, RH	F	GF79890-01	12 K
Fairing, Main Gear, Up., Fwd, LH	F	GF79892-04	12 K
Fairing, Main Gear, Up., Fwd, RH	F	GF79892-05	12 K
Fairing, Main Gear, Up., Aft, RH	F	GF79892-09	12 K
Fairing, Main Gear, Up., Aft, LH	F	GF79892-10	12 K
Fairing, Nose Gear	D	K65331-00	6 K
Fairing, Nose Gear, 6.00 X 6 w/o Door	D	GF35944-014	21 K
Fairing, Nose Gear, 6.00 X 6 w/Door	D	GF35944-14	10 K
Fairing, Stinger (Tailcone)	H	K78912-11	22 K
Fairing, Tailcone, Upper	L	60-30	5 T
		RD-0097-00	3 K
		60-31	5 T
		RD-0098-00	3 K
Fairing, Tailcone, Lower	M	K65773-00	6 K
Moulding, Wing Root	B	60-23	2 T
Tip, Horizontal Stab., LH or RH	G	RD-0094-00	17 K
		SA63584-10	S
Tip, Wing, LH	A	GF35115-10	20 K
Tip, Wing, RH	A	GF35115-11	20 K
TIP, Wing, LH, 4" Nav-Pad	A	SA-35115-00	27 S
TIP, Wing, RH, 4" Nav-Pad	A	SA-35115-01	27 S
TIP, Wing, LH, 6" Nav-Pad	A	SA-35115-10	27 S
TIP, Wing, RH, 6" Nav-Pad	A	SA-35115-11	27 S
1 Models PA-32-260 and PA-32-300			
2 Models PA-32-260, PA-32-300 and PA-32R-300			
3 Models PA-32-260, PA-32-300, PA-32R-300, PA-32R-300T			
4 Models PA-32-260, PA-32-300, PA-32-301 and PA-32-301T			
5 Models PA-32-260, PA-32-300, PA-32-301, PA-32-301T, PA-32R-300, PA-32R-301, PA-32R-301T			
6 Models PA-32-260 and PA-32-300 S/N 32-40000 thru 32-7740112			
7 Models PA-32-260, PA-32-300, PA-32-R300, PA-32R-301, PA-32R-301T, PA-32RT-300, PA-32RT-300T			
8 Models PA-32-260 S/N 32-1 thru 32-7140086, PA-32-300 S/N 32-40000 thru 32-7140086			
9 Models PA-32-260 S/N 32-7200001 thru 32-7800008, PA-32-300 S/N 32-7240001 and On, PA-32R-300, PA-32-301, PA-32-301T, PA-32R-301, PA-32R-301T			

Continued on next column

Continued from previous column			
10 Models PA-32-260 S/N 32-7800001 and On, PA-32-300 S/N 32-7740113 and On			
11 Models PA-32-260 S/N 32-7800001 thru 32-7800008, PA-32-300 S/N 32-7840001 thru 32-7940290 and PA-32-301			
12 Models PA-32-260 S/N 32-7800001 and On, PA-32-300 S/N 32-7840001 and On, PA-32-301, PA-32-301T			
13 Models PA-32-260 S/N 32-7200061 and Up, PA-32-300 S/N 32-7240001 and Up, PA-32R-300, PA-32R-300T, PA-32-301FT, PA-32-301XTC, PA-32R-301, PA-32R-301T, PA-32-301, PA-32-301T			
14 Model PA-32-300, PA-32-301T			
15 PA-32-300 S/N 32-40000 thru 32-7140086			
16 Models PA-32-300, PA-32R-300, PA-32-301 S/N 32-8006002 thru 32-8106110, PA-32-301T S/N 32-8024001 thru 32-8124046, PA-32R-301 S/N 32R-8013001 thru 32R-8113133 and PA-32R-301T S/N 32R-8029001 thru 32R-8129124			
17 Models PA-32-260, PA-32-300, PA-32-300S, PA-32R-300, PA-32RT-300, PA-32RT-300T, PA-32-301FT, PA-32-301XTC, PA-32R-301, PA-32R-301T PA-32-301, PA32-301T			
18 Models PA-32-301 and PA-32-301T			
19 Models PA-32-301 S/N 32-8006002 thru 32-8006116, 32-8106110, 32-8206050, 32-8306032, 32-8406020, PA-32-301T S/N 32-8024001 thru 32-8024062, S/Ns 32-8124046, 32-8224024, 32-8324016, 32-8424002 32-8524001 and On			
20 Models PA-32R-301 S/N 32R-8113071 thru 32R-8613005, 3213001 thru 3213041, 3213098 excluding 3213029, PA-32R-301T S/N 32R-8129073 and up, PA-32-301FT, PA-32-301XTC, PA-32-301, PA-32-301T, PA-32R-301 S/N 3213029, 3213042 thru 3246999, 32R-8013001 thru 32R-8113070, PA-32R-301T S/N 32R-8029001 thru 32R-8129072,			
21 Models PA-32-260 S/N 32-7800001 and On, PA-32-300 S/N 32-7840001 and On, PA-32-301, PA-32-301T, PA-32-301FT and PA-32-301XTC			
22 Models PA-32RT-300 and PA-32RT-300T			
23 W/O Door 6.00 X 6 Tire, 1978 and up			
24 With 5.00 X 5 Tire			
25 All Models except PA-32-301FT, PA-32-301XTC and PA-32S-300			
26 Models PA-32-301, PA-32-301T, PA-32R-300, PA32R-301, PA-32R-301T			
27 PA-32-301, PA-32-301T, PA32R-301, PA-32R-301T			

**Exterior Plastic and Fiberglass  
Piper, Beechcraft, and Cirrus  
Piper PA-38 Series**

Exterior Plastic and Fiberglass



PA-38-112		
Description	Idx	Part Number
Fairing, Dorsal Fin, Lower, Aft	D	GF77607-00 <b>K</b>
Fairing, Dorsal Fin, Upper, Fwd	E	GF77606-03 <b>K</b>
Fairing, Dorsal Fin, Upper, Aft	F	GF77606-08 <b>K</b>
Fairing, Main Gear, Wing, LH	B	GF77328-02 <b>K</b>
Fairing, Main Gear, Wing, RH	B	GF77328-03 <b>K</b>
Fairing, Rudder, Lower	G	GF77613-00 <b>K</b>
Molding, Wing Root	C	K65773-00 <b>K</b>
Tip, Wing, LH	A	GF77327-02 <b>K</b>
Tip, Wing, RH	A	GF77327-04 <b>K</b>

**Cirrus and Beechcraft Series**

Cirrus SR20-SR22 Series Aircraft		
Fairing, Nose Gear Wheel Pant	K15312-001	<b>1</b> <b>K</b>
	K26873-001	<b>2</b> <b>K</b>
<b>1</b> Models SR20 S/N 1005 thru 1430, 1476 thru 1885 and SR22 S/N 0528 thru 2437		
<b>2</b> Models SR20 S/N 1886 and On, SR22 S/N 2438 and On, and Model SR22T		
<b>19A, A23-19, B19, M19A, 23, A23, A23A, B23, C23, A23-24, A24R, B24R, C24R</b>		
Description	Part Number	
Drain Cover, Fuel Sump	GF169-420028-11	<b>1</b> <b>K</b>
Fairing, Dorsal	GF169-440013-11	<b>K</b>
Fairing, Lower Cowl	GF169-910013-157	<b>2</b> <b>K</b>
Seal (Storm Window)	ADS-B137	<b>K</b>
Tail Cone	GF169-4411-S	<b>3</b> <b>K</b>
	GF169-620001-27	<b>4</b> <b>K</b>
	GF169-620000-113	<b>5</b> <b>K</b>
Tip, Stabilizer Left	GF169-620001-28	<b>4</b> <b>K</b>
	GF169-620000-114	<b>5</b> <b>K</b>
Tip, Stabilizer Right	K169-640000-97	<b>K</b>
Tip, Vertical Stabilizer	GF169-1100-00	<b>K</b>
Tip, Wing, Left	GF169-1100-01	<b>K</b>
Tip, Wing, Right	GF169-1100-01	<b>K</b>
<b>1</b> Models B19, C23, C24R		
<b>2</b> Models A23-19, B19, 23, A23, A23A, B23, C23, A24		
<b>3</b> Models 19A, A23-19, B19, M19A, 23, A23, A23A, A23-24, A24R, B24R, C24R		
<b>4</b> All Models and S/Ns except Model 23, S/N M-2, M-4 thru M-554		
<b>5</b> Model 23 S/N M-2, M-4 thru M554		

35-33, 35-A33, 35-B33, 35-C33, 35-C33A, C33, C33A, E33, E33A, E33C, F33, F33A, F33C, G33		
Description	Part Number	
Fairing, Dorsal	K33-440011-27	<b>K</b>
	K33-600011-1	<b>1</b> <b>K</b>
Fairing, Dorsal Fin	K33-600012-3	<b>2</b> <b>K</b>
Seal (Storm Window)	ADS-B137	<b>K</b>
Tip, Wing, Hoerner Style	11052-1	<b>3</b> <b>K</b>
<b>1</b> Model 35-B33		
<b>2</b> Models 35-C33, 35-C33A		
<b>3</b> Model 35-C33 S/N CD-814 thru CD-1026 (Set of two)		
<b>35, 35R, A35, B35, C35, D35, E35, F35, G35, H35, J35, K35, M35, N35, P35, R35, S35, V35, V35A, V35B</b>		
Description	Part Number	
Seal (Storm Window)	ADS-B137	<b>K</b>
Tip, Wing, Hoerner Style	11052-1	<b>1</b> <b>K</b>
<b>1</b> Models A35, B35, C35, D35, E35, F35, G35, H35, J35, K35, M35, N35, P35, S35		
<b>36, A36, A36TC, B36TC, G36</b>		
Description	Part Number	
Seal (Storm Window)	ADS-B137	<b>K</b>
Fairing, Dorsal	K33-440011-27	<b>K</b>
<b>50, B50, C50, D50, D50A, D50B, D50C, D50E, E50, F50, G50, H50, J50</b>		
Description	Part Number	
Seal (Storm Window)	ADS-B137	<b>K</b>
Tip, Wing, Hoerner Style	11052-1	<b>1</b> <b>K</b>
<b>1</b> Models B50, C50, D50, D50A, D50B, E50, F50, G50 (Set of two)		

95-55, 95-A55, 95-B55, 95-B55A, 95-B55B, 95-C55, 95-C55A, D55, D55A, E55, E55A, 56TC, A56TC, 58, 58TC, 58P, G58, 76, 77, 95, B95, B95A, D95A, E95		
Description	Part Number	
Fairing, Dorsal Fin	95-440015-17K	<b>1</b> <b>K</b>
Fairing, Engine Nacelle, Outbrd, LH	GF96110010-17	<b>2</b> <b>K</b>
Fairing, Engine Nacelle, Outbrd, RH	GF96110010-19	<b>2</b> <b>K</b>
Fairing, Engine Nacelle, Inboard LH	GF96110010-21	<b>2</b> <b>K</b>
Fairing, Engine Nacelle, Inboard, RH	GF96110010-23	<b>2</b> <b>K</b>
Saddle, Dorsal	GF96-4415-00	<b>6</b> <b>K</b>
Seal (Storm Window)	ADS-B137	<b>3</b> <b>K</b>
Tip, Wing, Left	GF105-1010-00	<b>4</b> <b>K</b>
	GF108-1700-00	<b>5</b> <b>K</b>
Tip, Wing, Right	GF105-1010-01	<b>4</b> <b>K</b>
	GF108-1700-01	<b>5</b> <b>K</b>
<b>1</b> Models B95, B95A, D95A, E95		
<b>2</b> Model 95-A55 S/N TC-191 thru TC-349, TC-351 thru TC-370, TC-372 thru TC-379, Models 95-B55 and 95-B55A S/N TC-371, TC-502 thru TC-1392, TC-1397 thru TC-2456, and Models 95-B55B, 95-C55, 95-C55A (Except S/N TE-50), D55, D55A, E55, E55A, 56TC, A56TC, 58, 58TC, 58P		
<b>3</b> All models except 58P, 76 and 77		
<b>4</b> Model 76		
<b>5</b> Model 77		
<b>6</b> Model 95-B55 S/N TC-371, TC-502 thru TC-1392, TC-1397 thru TC-2456, and Models E55 and 58		